

# Cuisinart®

INSTRUCTION AND  
RECIPE BOOKLET



**SMARTPOWER PREMIER™ 600-WATT BLENDER**

**CBT-500 SERIES**

For your safety and continued enjoyment of this product, always read the instruction book carefully before using.

---

# IMPORTANT SAFEGUARDS

When using an electrical appliance, basic safety precautions should always be followed, including the following:

1. **READ ALL INSTRUCTIONS BEFORE USING.**
2. To protect against the risk of electrical shock, do not put motor base of blender in water or other liquid.
3. Close supervision is necessary when any appliance is used by or near children.
4. Unplug from outlet when not in use, before putting on or taking off parts, and before cleaning or removing contents from blender jar. **Never put hands into the blender jar or container, or handle the blades with appliance plugged in.**
5. Avoid contact with moving parts.
6. Do not operate any appliance with a damaged cord or plug or after the appliance malfunctions, or is dropped or damaged in any manner. Return appliance to nearest Cuisinart service facility for examination, repair, and/or mechanical or electrical adjustment.
7. The use of attachments, including canning or ordinary jars, not recommended or sold by Cuisinart may cause fire, electrical shock, or risk of injury to persons.
8. Do not use outdoors.
9. Do not let cord hang over edge of counter or table or touch hot surfaces.
10. **Keep hands and utensils out of jar while blending, to reduce the risk of severe injury to persons or damage to blender itself.** A rubber or plastic spatula may be used but must be used only when the blender is turned OFF.
11. When blender is in ON mode, and LED lights are flashing or glowing, do not touch cutting assembly, interfere with blade movement, or remove blender jar cover. Accidentally touching a speed button may activate the blender.
12. **BLADES ARE SHARP. HANDLE CAREFULLY.**
13. To reduce the risk of injury, never place cutting assembly on base unless the blender jar is properly attached.
14. Always operate blender with the cover in place.

15. Never leave your blender unattended while it is running.
16. When blending HOT liquids, remove measured pour lid (center piece of cover) to allow steam to escape.
17. Twist on locking ring firmly. Injury can result if moving blades accidentally become exposed.
18. Do not use an extension cord with this unit. Doing so may result in fire, electrical shock, or personal injury.

**Regarding your cord set:** A longer cord has been provided so that you will have flexibility in positioning your Cuisinart® SmartPower Premier™ 600-Watt Blender near an electrical outlet. Exercise care when using the longer cord, to avoid entangling or tripping over the cord. The longer cord should be arranged so that it will not drape over the counter or tabletop, where it can be pulled on by children or tripped over. Excess cord should be stored in the cord storage area at the back of the blender base to avoid injury caused by the longer cord.

19. Wash the blender jar, cutting assembly, locking ring, and cover before first use.
20. **WARNING: TO REDUCE THE RISK OF ELECTRICAL SHOCK OR FIRE, DO NOT REMOVE THE BASE PANEL. NO USER SERVICEABLE PARTS ARE INSIDE. REPAIR SHOULD BE DONE ONLY BY AUTHORIZED PERSONNEL.**
21. **WARNING: FLASHING LIGHT INDICATES READY TO OPERATE. DO NOT TOUCH BLADES.**

## SAVE THESE INSTRUCTIONS FOR HOUSEHOLD USE ONLY

### NOTICE

This appliance is of the grounded type; the extension cord should be a grounded type 3-wire cord. If the plug does not fit, contact a qualified electrician. Do not modify the plug in any way.

---

# UNPACKING INSTRUCTIONS

1. Place the gift box containing your Cuisinart® SmartPower Premier™ 600-Watt Blender on a flat, sturdy surface before unpacking.
2. Remove instruction booklet and other printed materials from top of corrugated insert. Next remove the top corrugated insert.
3. Remove the lower corrugated insert containing the blender jar assembly. Be careful not to tip the jar when removing.
4. Carefully lift blender base from box and set aside.

To assemble the blender, follow the Assembly instructions, page 4. Replace all corrugated inserts in the box and save the box for repackaging.

**Before using for the first time:** Wash all parts according to the Cleaning and Maintenance section on page 7 to remove any dust or residue.

## CONTENTS

Important Safeguards . . . . .	2
Unpacking Instructions . . . . .	3
Introduction . . . . .	3
Features and Benefits . . . . .	4
Use and Care/Assembly . . . . .	4
Helpful Reminders . . . . .	5
Operation . . . . .	5
Quick Reference Guides . . . . .	5
Cleaning and Maintenance . . . . .	7
Do's and Don'ts . . . . .	7
Recipe Tips . . . . .	8
Recipes . . . . .	9
Warranty Information . . . . .	19

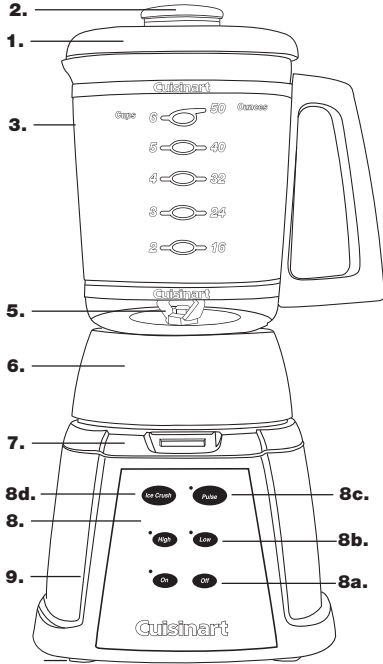
## INTRODUCTION

The Cuisinart® SmartPower Premier™ 600-Watt Blender is constructed with a heavy die-cast metal base and 50-ounce glass blender jar. This dynamic new look for blending – solid, sophisticated, and elegantly commercial – is perfect for today's gourmet kitchen.

The most powerful of the SmartPower™ blenders, it's engineered with a 600-watt motor that's more than capable of handling extra-tough blending tasks, including crushing ice. The flip side of this heavy-duty blender is its versatile, precision control. A Count-Up™ Timer ensures that any recipe can be followed to the second, and a professional-quality stainless steel blade finely minces even small portions of nuts or delicate herbs. Separate Hi, Low, Pulse, and Ice Crush controls, plus LED indicator lights, offer the kind of ease of operation and control that result in the perfect blend, time after time.

A crowd pleaser, the heavy glass blender jar holds 50 ounces of tropical island drinks, luscious fruit and yogurt shakes, creamy chocolate pie filling, crêpe or tempura batters...and more! If you think of something else you want to add while blending, just remove the measured pour lid insert and pour ingredients in. The blender jar has a spill proof spout, and all the removable parts are dishwasher safe. Great look. Perfect blend. Welcome to Cuisinart!

## FEATURES AND BENEFITS



**Note: Blades are sharp... handle carefully.**

### 7. Count-Up™ Timer

Five-minute timer times your recipes for perfect results.

### 8. Push-Button Controls

#### a. On/Off Buttons

#### b. High and Low Buttons

Choose High or Low speed to blend the ingredients to the desired consistency. Red LED lights will indicate which speed you are using.

#### c. Pulse Button

Allows you to pulse at High or Low speeds, so you can blend ingredients only as much as needed.

#### d. Ice Crush Button

Press on and begin crushing. This button is preset to the best speed for crushing ice.

### 1. Cover

Just press on. Tightfitting seal resists leakage.

### 2. Measured Pour Lid

Allows you to measure and add ingredients without removing the cover.

### 3. 50-oz. Glass Jar

Has a unique, sturdy, widemouth design.

### 4. Leak-proof Rubber Gasket (not shown)

Holds the glass jar snugly in position for safe operation.

### 5. High-Quality Cutting Assembly with Patented Stainless Steel Blades

Is strong enough for all blender tasks, including tough jobs, from ice crushing to chopping delicate herbs.

### 6. Locking Ring

Is self-aligning so that the glass blender jar slides easily into position.

### 9. Heavy-Duty Motor Base

Is so sturdy and stable, it will not “walk” on your counter – even during ice crushing!

### 10. Slip-Proof Feet (not shown)

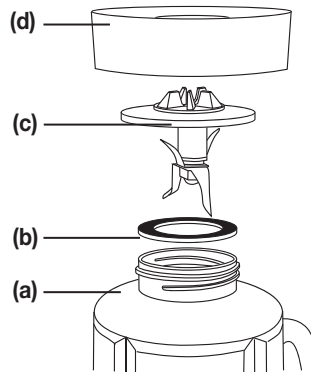
Prevent movement during use and prevent damaging marks on countertops or tables.

### 11. Cord Storage (not shown)

Keeps countertop safe and neat by conveniently storing excess cord.

## USE AND CARE

### ASSEMBLY



To use your Cuisinart® SmartPower Premier™ 600-Watt Blender, begin by assembling the blender jar.

1. Turn the blender jar (a) upside down, and place it flat on a sturdy surface.

2. Position the rubber gasket (b) on the round opening on the bottom of the blender jar.

3. Turn the cutting assembly (c) upside down, and place the blade end in the blender jar opening.

**Note: Blades are sharp... handle carefully.**

4. Secure the rubber gasket and cutting assembly into position by placing the smaller opening of the locking ring (d) on top of the cutting assembly. Engage threads by twisting the locking ring clockwise until tightened. Make sure locking ring is tightly fastened to blender jar. Once assembled, turn the blender jar right-side up.

5. Push the cover onto the top of the blender jar. Push the measured pour lid into the cover.

6. Place the blender jar on the motor base so that the jar markings are facing you and the handle is positioned to one side.

7. Plug in power cord. Your blender is now ready to be used.

## HELPFUL REMINDERS

- Once the cover is in position, additional ingredients can be added during blending by simply lifting the measured pour lid, adding ingredients, and replacing the measured pour lid.
- Cover should always be in place while the unit is on.
- **Warning:** Do not place blender jar onto base while motor is running.
- Do not twist locking ring from blender jar when removing blender jar from base. Simply lift blender jar from motor base.
- Boiling liquid or solid frozen foods (with the exception of ice cubes or ½-inch [1.3 cm] pieces of frozen fruit) should never be placed in the blender jar.
- Do not place ice, frozen foods or very cold liquids into a blender jar which has come directly from a hot dishwasher.
- Do not place very hot liquids or foods in a blender jar which has come directly from the freezer. Boiling liquids should cool for 5 minutes before being placed in blender jar.
- Follow Cleaning and Maintenance instructions on page 7, prior to your first use.

## OPERATION

1. Place the motor base of your Cuisinart® SmartPower Premier™ 600-Watt Blender onto a flat, sturdy surface. It is important that the surface be clean and dry. Assemble the blender by following the assembly instructions. Once the jar is assembled and is in position on the motor base, plug the Cuisinart® SmartPower Premier™ 600-Watt Blender into an electrical outlet.
2. Add all necessary ingredients to the blender jar, and replace the cover. You may add more ingredients by lifting the measured pour lid and dropping ingredients through the fill area. Replace the measured pour lid after adding ingredients. **Do not place hands in blender jar with blender plugged in.**

**Note:** Add liquid ingredients first, then follow with solid ingredients. This will provide more consistent blending and prevent unnecessary stress on the motor.

**Note:** To remove blender jar cover, lift edge of cover upward. Lifting measured pour lid will not remove cover.

## QUICK REFERENCE GUIDE

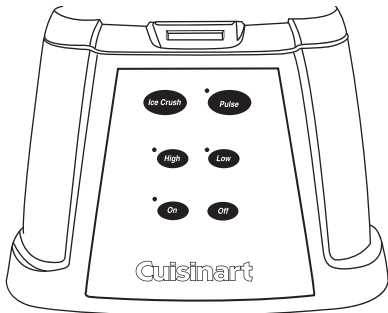
To activate blender	Press On – The blender is in On mode.
To begin blending	Press desired speed button.
To change speeds	Press desired speed button.
To pulse	In On mode press Pulse, then press and release desired speed button as needed.
To crush ice	In On mode, press and release Ice Crush button as needed.
To stop blending (and deactivate blender)	Press Off button.
To stop blending (in high or low speeds and pause timer)	Press High or Low button.
To stop blending (in Pulse or Ice Crush Mode)	Release button.

## SPEED SELECTION GUIDE

Refer to this guide to choose the best speed for your desired result.

Ingredient/Recipe	Speed	Result
Reconstituting frozen juice concentrate	Low	Smooth and full-bodied
Mayonnaise	Low	Thick and creamy
Salad dressings	Low or High	Completely blended and emulsified
Nuts (shelled, ½ cup or less at a time)	Low Pulse to chop	Coarse to fine
Heavy or whipping cream	Low – pulse	Thick creamy topping
Bread, cookies or crackers (add ½" pieces, 1 cup or less at a time)	Low – pulse, then blend	Coarse to fine as desired
Grating/chopping citrus zest (add 1 to 2 tsp. sugar or salt from recipe)	Low – pulse/blend	Uniformly fine
Smoothies, shakes, health drinks	High	Smooth, creamy and thick
Baby food/fruit and vegetable purée	High	Smooth and creamy
Frozen cocktails	High	Thick and slushy
Hard cheeses	Low – pulse, then blend	Coarse to fine
Spices	Low or high pulse, then blend	Coarse to fine
Ice	Ice Crush, pulse or continuous	Coarse crush to snowy

3. **TIMING YOUR RECIPES:** The SmartPower Premier™ 600-Watt Blender features a 5-minute Count-Up™ Timer, so that you can time your recipes and guarantee perfect results. The timer begins counting from 0 as soon as you push your desired speed: High, Low, Pulse or Ice Crush. The timer will continue to count up even if you change speeds during blending. You can pause the timer by pausing the blending process. Do this by pushing the button corresponding to the speed at which you are currently blending. **For example:** If you are blending in Low speed and you push the Low speed button, the blender will stop blending and the timer will stop counting, but the unit will remain on. To continue blending and timing your recipe, push one of the speed buttons. The timer will also stop counting when it reaches 5:00 minutes. The timer will only reset itself when the Off button is pushed.
4. **START BLENDING:** Press the On button. The red LED indicator light will illuminate, indicating that the blender is turned on but no speed has been selected.



5. **CHOOSE BLENDING SPEED:** Press High or Low button to determine the speed at which you would like to blend the ingredients. Both the On indicator light and the activated speed indicator light will glow. The blender will now be functioning at the desired speed. It is possible to switch speeds without pressing the Off button, by simply pushing the other speed button.

**Note:** The Count-Up™ timer will begin counting when the desired speed button is pushed. The timer will continue to count if you change speeds.

#### 6. TO PAUSE OR STOP BLENDING PROCESS

- a. **To Pause Blending Process:** Push the button corresponding to the speed at which you are currently blending. For example: If you are blending on High speed, push the High speed button and the blender will stop blending, but the unit will remain on.

**Note:** By pausing the blending process, you will also pause the timer. The timer will pause until you start blending again.

- b. **To Stop Blending Process:** Push the Off button when you are finished with your recipe and would like to turn the blender off.

**Note:** When you push the Off button, the timer will stop counting and the LED display will reset to 0:00. When the blender is turned back on and a speed button is pushed, the timer will begin to count from 0:00.

7. **PULSE MODE:** The pulse mode allows you to create a burst of power for quick, efficient blending. To use the pulse function, push the On button and the red LED indicator light will illuminate. Push the Pulse button, and the pulse LED indicator light will blink. Push and release the desired speed button. Repeat as desired. You determine the duration of each pulse. While pulsing, the LED indicator light will glow. The pulse function can be used to break apart larger pieces of food or to control the texture of food when chopping. The pulse function is also effective in starting the blending process when you do not want continuous power, or when processing items that do not require an extended amount of blending.

**Note:** The timer will count when you push or hold down the Pulse button. The timer will pause when you release the Pulse button.

8. **TO CRUSH ICE:** The SmartPower Premier™ 600-Watt Blender motor is strong enough to crush ice without liquid at any speed; however for your convenience, we have preset the best speed for ice crushing. To give you greater control, the ice crush function automatically operates as a pulse function. To crush ice, place ice cubes in the blender jar. Press the On button. The On indicator light will illuminate. Press the Ice Crush button in short pulses until ice is crushed to desired consistency. See Recipe Tips section on page 8 for more details.

**Note:** The timer will count when you push or hold down the Ice Crush button. The timer will pause when you release the Ice Crush button.

9. **TO DISLodge FOOD:** Use a rubber or plastic spatula to help remove food lodged around the cutting assembly. **DO NOT USE SPATULA UNTIL YOU HAVE TURNED THE BLENDER OFF.** Replace the cover and measured pour lid and continue blending, if necessary. Make sure spatula is not inside the blender jar before blending.
10. **WHEN FINISHED BLENDING:** Press the Off button and unplug the blender from the electrical outlet. Never remove the blender jar from the motor base until the blender is off. Do not twist locking ring from blender jar when removing jar from motor base. Simply lift blender jar from motor base. **Do not place hands into blender jar with blender plugged in.**

---

## CLEANING AND MAINTENANCE

Always unplug your Cuisinart® SmartPower Premier™ 600-Watt Blender from the electrical outlet before cleaning. The blender is made of corrosion-resistant parts which are easy to clean. Before first use and after every use, clean each part thoroughly. Periodically check all parts before reassembly. If any part is damaged or blender jar is chipped or cracked, DO NOT USE BLENDER.

Remove the blender jar from the motor base by lifting straight up and away. Twist off the locking ring by turning counterclockwise.

Remove the cutting assembly and rubber gasket. Wash in warm soapy water, rinse, and dry thoroughly.

Place the locking ring in the upper rack of the dishwasher or wash in warm water.

**CAUTION:** Handle the cutting assembly carefully. It is SHARP and may cause injury. Do not attempt to remove blades from cutting assembly.

Remove the blender jar cover and the measured pour lid. Wash in warm, soapy water; rinse and dry thoroughly, or place in upper rack of dishwasher. The blender jar must be washed in warm, soapy water and rinsed and dried thoroughly. The blender jar can also be placed upside down in dishwasher.

Finally, wipe the motor base clean with a damp cloth to remove any residue, and dry thoroughly. Never submerge the motor base in water or other liquid, or place in a dishwasher.

**Tip:** You may wish to clean your blender cutting assembly as follows: Squirt a small amount of dishwashing liquid into assembled blender jar and fill halfway with warm water. Run on Low for 15 seconds. Repeat, using clean tap water. Empty blender jar and carefully disassemble parts. Wash cutting assembly, gasket and locking ring in warm, soapy water. Rinse and dry all parts thoroughly.

## DOs and DON'Ts WHEN USING YOUR BLENDER

### Do:

- Make sure the electrical outlet is rated at the same voltage as that stated on the bottom of the blender motor base.
- Always use the blender on a clean, sturdy and dry surface.
- **Always add liquid ingredients to the blender jar first, then add remaining ingredients. This will ensure that ingredients are uniformly mixed.**
- Cut most foods into cubes approximately ½ inch (1.3 cm) to 1 inch (2.5 cm) to achieve a more uniform result. Cut all cheeses into pieces no larger than ½ inch (1.3 cm).

- Use the measured pour lid to measure liquid ingredients such as alcohol. Replace measured pour lid after ingredients have been added.
- Use a rubber or plastic spatula as needed, only when the blender is turned off. Never use metal utensils, as damage may occur to the blender jar or cutting assembly.
- Place cover on firmly. Always operate the blender with the cover on.
- Make sure locking ring is tightly attached to blender jar.
- Always remove locking ring, cutting assembly, and rubber gasket before cleaning.
- When scraping the blender jar with a spatula, remove the food from the sides of the blender jar and place food in the center of the blender jar, over the cutting assembly.
- When chopping fresh herbs, garlic, onion, zest, bread crumbs, nuts, spices, etc, make sure the blender jar and cutting assembly are completely dry.
- If food tends to stick to the sides of the blender jar when blending, pulse in short bursts.
- Pulses should be short bursts. Space the pulses so the blades stop rotating between pulses.

### Don't:

- Don't store food or liquids in your blender jar.
- Don't place cutting assembly and locking ring onto motor base without the blender jar attached.
- Do not attempt to mash potatoes, knead heavy dough, or beat egg whites.
- Don't remove blender jar while unit is on. Keep the blender jar cover on the blender jar while blending.
- Don't twist locking ring from blender jar when removing blender jar from motor base. Simply lift blender jar from motor base.
- Don't overprocess foods. Blender will achieve most desired results in seconds, not minutes.
- Don't overload blender. If the motor stalls, turn the blender off immediately, unplug the unit, and remove a portion of the food, then continue.
- Don't use any utensil inside the blender jar while the motor is on.
- Don't use any container or accessories not recommended by Cuisinart. Doing so may result in injury.
- Don't place hands inside the blender jar when blender is plugged in.
- Don't add boiling liquids or frozen foods (except ice cubes or ½-inch pieces of frozen fruit) to glass blender jar. Boiling liquids should cool for 5 minutes before being placed in blender jar.



---

## RECIPE TIPS

The simple recipes that follow include some old Cuisinart favorites as well as some creative combinations that are sure to please your friends and family. Thanks to the superior ice crushing power of the SmartPower Premier™ 600-Watt Blender, you'll also be able to make delicious frozen drinks.

**Chopping Nuts:** Place ½ cup shelled nuts in the blender jar and cover blender. Set on Low and pulse until desired chop is achieved. Pulse fewer times for coarsely chopped nuts. For best results process small amounts, ½ cup or less.

**Bread, Cookie or Cracker Crumbs:** Break or cut bread, cookies or crackers into pieces ½ inch or less in size. For best bread results, use day-old bread (drier bread works best). Place bread, cookie or cracker pieces in blender jar. Set on Low or High and pulse to chop, then blend continuously until desired texture of crumbs is achieved. For best results, process 1 cup or less at a time.

**Crushing Ice:** Add up to 10 standard ice cubes to the blender jar. Cover. Press the Ice Crush button, using short bursts, 10 times, or until cubes are the consistency of snow. Turn blender off. Pulse fewer times if coarsely chopped ice is desired.

**Grating Fresh Citrus Zest:** For best results, blender jar and cutting assembly must be clean and dry. Remove zest from fruit in strips using a vegetable peeler; use a sharp knife to remove the bitter white pith from the underside of the zest. Process no more than 8 strips at a time (zest of 1 medium lemon). Cut strips in half. Add strips and 1 teaspoon sugar or coarse salt (from recipe) to the blender jar. Cover blender jar. Set on Low; blend for 15 to 20 seconds. Turn blender off.

**Baby Food:** Combine ½ cup cooked vegetables, fruit or meat with 3 to 4 tablespoons liquid (water, milk, fruit juice, broth, or cooking liquid) in the blender jar. Cover. Set on Low or High. Blend for 15 to 20 seconds until a smooth purée is reached. Add more liquid as necessary and process further until desired texture is reached. For junior-type foods, set on High and use the Pulse function. Always consult with your pediatrician/family physician concerning the best foods for your baby and when to introduce new foods to his/her diet.

**Grinding Hard Cheese:** Cut cheese into ½-inch pieces; remove all outer hard rind. Place cheese in blender jar and cover blender. Set on Low. Pulse to chop cheese, 10 to 12 times, then blend until desired grind is reached. For best results, grind no more than 3 ounces of cheese at a time.

**Grinding Spices:** For best results, blender jar and cutting assembly must be clean and dry. Add ¼ – ½ cup of spices/seeds/peppercorns to blender jar. Cover. Set on Low or High; pulse to break up, then blend for 20 to 40 seconds.

**Whipping Cream:** If possible, chill blender jar and cutting assembly in refrigerator for 15 minutes. Add 1 cup heavy or whipping cream to blender jar. Cover jar. Set on Low and Pulse (1-second pulses) 20 to 30 times until cream is thickened. (Do not overblend – bits of butter will begin to form.) If desired, add 1 tablespoon sugar and 1-2 teaspoons of vanilla or other flavoring. Consistency will be that of a thickened, but not fluffy, whipped cream and is most appropriate for topping desserts or coffee drinks.

When using the blender to purée hot mixtures such as creamed soups and baby foods, strain the solids from the liquid, reserving the cooking liquid. Then place the cooked solids in the blender jar along with ½ to 1 cup of the reserved cooking liquid. Use the Pulse function to chop, then blend until desired consistency/purée is reached.

Allow hot foods to cool slightly before blending to prevent steam buildup which may cause the lid to lift up from the blender jar.

Keep your blender out on the counter within easy reach and you will be surprised how often you will use it.

Keep ice cubes made of juices, yogurt, milk or fruit purées on hand to substitute for plain ice when making smoothies and frosty beverages to prevent diluting the drink.



# RECIPES

## SMOOTHIES, SHAKES, FRAPPÉS, FROZEN BEVERAGES

### FRESH FRUIT SMOOTHIE

*Layers of fresh fruit blend in just seconds to make this all-fruit smoothie.*

Makes six 8-ounce servings

- ½ cup orange juice
- 1 cup cantaloupe, cut into 1" pieces
- 1 cup raspberries (fresh or frozen)
- 1 cup pineapple chunks (1" pieces) (fresh or canned, drained)
- 1 cup navel orange segments, cut into 1" pieces
- 1 cup strawberries, hulled and halved
- 1 cup mango chunks (1" pieces)
- 1 medium banana, cut into ½" slices
- 1 cup ice cubes (about 6 standard)

Layer the ingredients in the blender jar in the order listed. Place cover on blender jar. Set blender speed on High. Turn blender on and blend for 20 to 30 seconds until smooth. Turn blender off.

**Note:** The riper the fruit, the sweeter the smoothie.

*Nutritional information per serving:  
Calories 101 (4% from fat) • carb. 25g • pro. 2g • fat 0g  
• sat. fat 0g • chol. 0mg • sod. 10mg • calc. 35mg • fiber 4g*

### FRUIT AND YOGURT SMOOTHIE

*A delicious drink for breakfast on the run.  
The fruits may be varied to suit your own taste. Add more calcium by using calcium-enriched orange juice.*

Makes six 8-oz. servings

- 2 cups pineapple chunks
- 1 medium banana, cut into 1" pieces
- 1 cup orange juice
- 1 cup fat free vanilla yogurt
- 2 cups frozen strawberries (do not thaw)

Place all ingredients in blender jar in order listed. Set on High and blend until smooth and creamy, about 20 seconds. Serve immediately or refrigerate.

*Nutritional information per serving:  
Calories 105 (4% from fat) • carb. 25g • pro. 3g • fat 0g  
• sat. fat 0g • chol. 1mg • sod. 23mg • calc. 76mg • fiber 2g*

### TO-FRUIT SMOOTHIES

*The much-maligned tofu is a good source of protein and a nice alternative to using dairy products in smoothies. Change the fruits to suit your own taste.*

Makes six 8-oz. servings

- 1 cup mango chunks (1" pieces), about 12 ounces
- 1 medium banana, cut into 1" pieces
- 1 cup orange, apple or other fruit juice
- 1 cup soy milk/beverage
- 1 tablespoon vanilla extract
- 1 cup silken tofu, cut into 1" pieces
- 2 cups frozen strawberries (do not thaw)

Place all ingredients in blender jar in order listed. Set on High and blend until smooth and creamy, about 20 seconds. Serve immediately or refrigerate.

*Nutritional information per serving (based on 6 servings):  
Calories 135 (18% from fat) • carb. 25g • pro. 5g • fat 2g  
• sat. fat 0g • chol. 0mg • sod. 10mg • calc. 63mg • fiber 4g*

### CRÈME CARAMEL SHAKE

*This shake is an excellent source of calcium, making a now and then indulgence a good thing.*

Makes four 8-oz servings

- 2 cups lowfat milk
- 2 cups light vanilla ice cream or frozen yogurt
- 3 tablespoons caramel syrup
- 2 teaspoons vanilla extract

Place all ingredients in blender jar in order listed; cover blender jar. Set on High. Blend until smooth, creamy and thick, about 40 to 50 seconds. Serve immediately in tall glasses with straws.

*Nutritional information per serving:  
Calories 223 (30% from fat) • carb. 29g • pro. 9g • fat 8g  
• sat. fat 5g • chol. 39mg • sod. 131mg • calc. 315mg • fiber 0g*

### MONKEY-DOODLE SHAKE

*Chocolate frozen yogurt and bananas are combined to make this creamy shake.*

---

Makes four 8-oz. servings

- 2 cups lowfat milk**
- 2 bananas, cut into 1" pieces**
- 2 cups lowfat chocolate frozen yogurt**
- 2 tablespoons chocolate syrup**

Place all ingredients in blender jar in order listed; cover blender jar. Set on High and blend until smooth, creamy and thickened, about 40 to 50 seconds. Serve immediately in tall glasses with straws.

*Nutritional information per serving:*  
Calories 257 (18% from fat) • carb. 46g • pro. 8g • fat 5g  
• sat. fat 3g • chol. 19mg • sod. 95mg • calc. 216mg • fiber 2g

## MOCHA FRAPPÉ

*Why go out for special coffee drinks when you can prepare them easily at home in your Cuisinart® Blender?*

Makes two 8-oz. servings

- 8 ounces espresso or double strength coffee, chilled\***
- ¼ cup chocolate sauce**
- 2 tablespoons flavored syrup – vanilla, hazelnut, almond, raspberry, etc.**
- 15 ice cubes**

Place all ingredients in blender jar in order listed. Cover blender jar. Set on High and blend until smooth and slushy, about 30 to 40 seconds. Serve immediately in tall glasses. Garnish with a dollop of whipped cream if desired.

*Nutritional information per serving:*  
Calories 138 (0% from fat) • carb. 33g • pro. 1g • fat 0g  
• sat. fat 0g • chol. 0mg • sod. 37mg • calc. 6mg • fiber 0g

**For a creamy frappé,** add 2 tablespoons half-and-half before blending.

\*May be prepared from instant espresso powder.

## FROZEN MANGO MARGARITAS

*You can make margaritas and other frozen drinks with ease with your Cuisinart® Blender – try this refreshing Mango Margarita, or use your own special recipe.*

Makes six 8-oz. servings

- 2 cups mango cubes (fresh or frozen, partially thawed)**
- ½ cup tequila**
- ⅓ cup Triple Sec or Cointreau®**
- ⅓ cup fresh lime juice**
- 4 tablespoons superfine sugar**
- 2 cups ice cubes**

Place all ingredients in blender jar in order listed. Place cover on blender jar. Blend on High for 30 to 40 seconds until the mixture is smooth and slushy in texture. Turn blender off. Serve immediately.

*Nutritional information per serving:*  
Calories 158 (1% from fat) • carb. 23g • pro. 0g • fat 0g  
• sat. fat 0g • chol. 0mg • sod. 5mg • calc. 9mg • fiber 1g

**For an alcohol-free Margarita,** substitute 8 ounces fruit juice, such as apricot nectar or cranberry juice, for the tequila and Triple Sec.

## FROZEN COSMOPOLITAN

*Can you improve on a new classic? Of course! Try our Frozen Cosmopolitan.*

Makes eight 6-oz. servings

- 2 cups cranberry juice**
- 10 ounces chilled vodka (may use citrus flavored)**
- 2 ounces lime juice**
- 2 ounces Triple Sec or Cointreau®**
- lime twists for garnish**

Pour the cranberry juice into ice cube trays and freeze until solid. Place the vodka, lime juice, Triple Sec and frozen cranberry cubes in the blender jar in order given. Set on High and blend for 25 to 30 seconds until completely slushy. Serve immediately in chilled martini or other stemmed glasses, garnished with a twist of lime.

*Nutritional information per serving:*  
Calories 142 (1% from fat) • carb. 12g • pro. 0g • fat 0g  
• sat. fat 0g • chol. 0mg • sod. 2mg • calc. 3mg • fiber 0g

## FROZEN DAIQUIRI

*A classic frozen cocktail.*

Makes four 6-oz. servings

- 6 ounces frozen limeade**
- 5 ounces light rum**
- 3 cups ice cubes**

Place ingredients in blender jar in order listed. Cover blender jar. Set on High. Turn on blender jar and process until smooth and slushy, about 30 to 40 seconds. Turn blender off. Serve immediately.

*Nutritional analysis per serving:*  
Calories 92 (0% from fat) • carb. 14g • pro. 0g • fat 0g  
• sat. fat 0g • chol. 0mg • sod. 2 mg • calc. 2mg • fiber 0g

**For Frozen Fruit Daiquiris,** add 2 to 3 cups fruit (strawberries, peaches, melon, etc.) cut into 1" pieces. For a more pronounced fruit flavor, freeze additional fruit in cubes and use in place of ice cubes.

---

## DIPS/SPREADS/APPETIZERS

For best results when blending fresh herbs, the herbs, blender jar and cutting assembly must be dry and clean.

### TWO-PEPPER HUMMUS

*This popular Middle Eastern spread is simple to make in your Cuisinart® SmartPower Premier™ 600-Watt blender – we have spiced it up just a bit. Serve with pita wedges or use as a spread for sandwiches.*

Makes 2½ cups

- 2-3 cloves garlic, peeled**
- 2-3 dried red chili peppers, about 2" each**
- 4 strips lemon zest, 2 x ½" each (zest of ½ lemon), bitter white pith removed, cut into ½" pieces**
- 2 teaspoons ground cumin**
- 1 teaspoon kosher salt**
- 1 teaspoon thyme**
- 4 tablespoons fresh lemon juice**
- 2 tablespoons water**
- 2 roasted red peppers (freshly roasted or from a jar), cut in eighths**
- 1 can (19 ounces) chick peas, drained, rinsed and drained again**
- 2 tablespoons tahini paste**
- ¼ teaspoon hot sauce such as Tabasco®**
- 1½ tablespoons extra virgin olive oil**

Place the garlic cloves, chile peppers and lemon zest in the blender. Cover blender jar. Set blender on Low speed. Use Pulse button to chop, 10 pulses. Scrape the sides of the blender jar and add the cumin, salt and thyme. Blend for 10 seconds. Scrape the sides of the blender jar and add the lemon juice, water, roasted peppers, chickpeas, tahini and hot sauce in that order. Blend for 40 seconds; scrape the sides of the blender jar if necessary. Add the olive oil in a steady stream through the opening in the blender jar lid while blending for 20 seconds. Transfer the hummus to a bowl and let stand for 30 minutes before serving to allow flavors to develop. Hummus will keep covered in the refrigerator for up to a week.

*Nutritional information per tablespoon:*  
Calories 23 (44% from fat) • carb. 2g • pro. 1g • fat 1g  
• sat. fat 0g • chol. 0mg • sod. 34mg • calc. 8mg • fiber 1g

### SUN-DRIED TOMATO, GARLIC & HERB CHEESE SPREAD

*Serve with crackers, crudités, or as a sandwich spread or topping for baked potatoes.*

Makes about 1¾ cups

- 3 sun-dried tomatoes (dry, not oil packed)**
- 2 cloves garlic, peeled**
- ½ cup boiling water**
- 3 green onions, trimmed, cut into 1" pieces**
- 1 package lowfat cream cheese, cut into 1" pieces**
- ½ cup fat free cottage cheese**
- 2 teaspoons herbs de Provence**

Place sun-dried tomatoes and garlic cloves in a small bowl and cover with boiling water; let stand 5 minutes. Drain, reserving soaking liquid, and place tomatoes and garlic in blender jar; cover blender jar. Set on Low; pulse to chop, 10 times. Add remaining ingredients in order listed. Set blender on High. Blend for 10 to 15 seconds. Scrape blender jar as needed. Add a teaspoon or two of the reserved soaking liquid if mixture seems thick; blend for an additional 15 to 20 seconds, until mixture is smooth and creamy. Let stand 30 minutes before serving to allow flavors to develop. Place in an airtight container and cover to refrigerate. Bring to room temperature for 15 to 20 minutes before serving.

*Nutritional information per serving (2 tablespoons):*  
Calories 48 (56% from fat) • carb. 2g • pro. 3g • fat 3g  
• sat. fat 2g • chol. 6mg • sod. 135mg • calc. 39mg • fiber 0g

### CHILLED GAZPACHO

*A Cuisinart favorite, made with fresh, ripe summer tomatoes, Chilled Gazpacho is perfect on a hot, summer night.*

Makes eight servings, about 6 ounces each

- 1-2 cloves garlic, peeled**
- 3 cups tomato or vegetable juice cocktail, divided**
- 1 large rib celery, peeled, cut into 1" pieces**
- 1 large cucumber, peeled, halved lengthwise, seeded, cut into 1" pieces**
- ½ medium green bell pepper, cored, seeded, cut into 1" pieces**
- ½ medium red bell pepper, cored, seeded, cut into 1" pieces**
- 1 large jalapeño pepper, cored, seeded, cut into ½" pieces**
- 6 green onions, trimmed, cut into ½" pieces**
- 4 medium tomatoes, cored, seeded, cut into 1" pieces**
- 3 tablespoons sherry vinegar or lemon juice**
- ½ teaspoon kosher salt**
- ¼ teaspoon freshly ground black pepper**

Place garlic in blender jar; cover jar. Set on Low; pulse to chop garlic, 10 times. Add 1 cup tomato juice/vegetable juice cocktail to blender jar along with celery, cucumber, green pepper, red pepper, jalapeño pepper, and green onions. Blend on Low

---

until vegetables are medium-finely chopped, about 5 to 10 seconds. Transfer to a large serving bowl. Add remaining tomato juice/vegetable cocktail to blender jar with fresh tomatoes.

With blender set on Low, pulse 10 times to chop, or blend continuously if a smoother gazpacho is preferred. Add to the bowl of vegetables with the remaining juice. Season with sherry vinegar or lemon juice, salt and pepper. Chill before serving.

*Nutritional information per serving:*  
Calories 51 (5% from fat) • carb. 11g • pro. 2g • fat 0g  
• sat. fat 0g • chol. 0mg • sod. 429mg • calc. 28mg • fiber 2g

## CHILLED MELON AND MANGO SOUP

*Sweet cantaloupe and mango combine with orange juice for this refreshing cold soup. Perfect for a summer brunch or as a refreshing, cool ending to a warm-weather meal.*

Makes eight 6-oz. servings

- 2-3 slices fresh ginger (each about the size of a quarter)**
- 1 mango, about 12–14 ounces, peeled, seeded, cut into 1" pieces**
- 1 cantaloupe, about 3 pounds, peeled, seeded, cut into 1" pieces**
- ½-1 cup orange juice**

Place ginger, mango, melon and ½ cup orange juice in the blender jar; cover. Set on Low and blend until smooth, about 20 to 30 seconds. Add as much remaining orange juice as necessary to adjust consistency to that of a thick soup. Chill completely before serving. May be garnished with fresh raspberries or blueberries and a sprig of mint.

*Nutritional information per serving:*  
Calories 68 (2% from fat) • carb. 17g • pro. 1g • fat 0g  
• sat. fat 0g • chol. 0mg • sod. 14mg • calc. 17mg • fiber 1g

## CREAM OF ASPARAGUS SOUP

*Make this soup in the spring when asparagus is at its most flavorful.*

Makes eight 6-ounce servings

- ¾ cup Italian parsley leaves, washed and dried**
- 3 tablespoons unsalted butter**
- ⅔ cup chopped onion or leek**
- 1 pound asparagus, trimmed, cut into 1" pieces**
- 3 cups fat free, low-sodium chicken or vegetable stock or broth**
- 1 cup half-and-half**
- 1 tablespoon cornstarch**
- 1½ cups cold water**
- 1 teaspoon kosher salt**
- ½ teaspoon white pepper**

Place the parsley in the blender jar. Place cover on blender jar. Set blender on Low and pulse until coarsely chopped, about 4 to 5 times. Remove and reserve.

Melt the butter in a medium Cuisinart® saucepan over medium heat. Add onion and cook until soft but not brown, about 2 to 3 minutes. Add asparagus, stock, and all but 1 tablespoon of the reserved parsley. Cover and bring to a boil over medium-high heat. Reduce heat to low and simmer, partially covered, until asparagus is tender, about 10 to 12 minutes.

Pour the soup through a strainer, reserving the solids and liquids. Allow to cool 5 minutes. Place the solids in the blender jar with 1 cup of the cooking liquid; return the remaining liquid to the saucepan. Cover blender jar and set on Low. Turn blender on and blend until creamy and smooth, about 25 to 30 seconds. Turn blender off. Returned puréed vegetable mixture to the saucepan and stir to combine. Stir in half-and-half. Stir cornstarch into water, and add to soup. Add salt and pepper. Cook, stirring often, over medium heat, until soup thickens, about 6 to 8 minutes. Do not allow to boil. Taste and adjust seasonings as needed. Serve in warmed bowls garnished with the remaining parsley.

*Nutritional information per serving:*  
Calories 98 (59% from fat) • carb. 7g • pro. 4g • fat 7g  
• sat. fat 4g • chol. 19mg • sod. 510g • calc. 56mg • fiber 2g

## CREAMY POTATO LEEK SOUP

*This versatile soup may be served hot or chilled.*

Makes six 6-oz. servings

- 2 medium leeks, white and tender green only, sliced horizontally and cut into ½" pieces**
- 1 tablespoon unsalted butter**
- 1 small (3-4 ounce) onion, peeled and cut into ½" pieces**
- ¼ teaspoon thyme**
- 2 medium russet potatoes (about ¾ pound total), peeled, cut into 1" slices**
- 1½ cups fat free, low-sodium chicken stock or broth**
- ¾ cup water**
- 1 teaspoon kosher salt**
- ½ teaspoon white pepper**
- ¾ cup half-and-half**

Place leeks in a medium bowl and add cold water. Swirl, then let stand for approximately 5 minutes. Lift leeks from the water without disturbing the sand/sediment collected in the bowl; allow to drain completely.

Melt butter in a large Cuisinart® saucepan over medium heat. Add the drained leeks, onion, and thyme. Let cook until softened, 3 to 5 minutes. Add potatoes, stock, and water; cover and bring to a boil over medium high heat. Reduce heat to low, and simmer, uncovered, until potatoes are soft, about 10 to 15 minutes.

Drain vegetables, reserving cooking liquid. Allow to cool 5 minutes. Place vegetables in blender jar. Add 1 cup cooking liquid; return remaining cooking liquid to saucepan. Cover blender jar. Set on High. Blend 20 to 30 seconds. Scrape blender jar and blend 10 to 15 seconds longer, until completely puréed and creamy smooth. Stir vegetable purée into stock in saucepan and reheat over medium low heat. Add salt, pepper and half-and-half.

*Nutritional information per serving:*

*Calories 132 (37% from fat) • carb. 18g • pro. 3g • fat 6g  
• sat. fat 3g • chol. 16mg • sod. 369mg • calc. 56mg • fiber 3g*

**Variation:** Turn this soup into Creamy Watercress Soup by adding 1 bunch watercress, washed and dried. Pick leaves and reserve. Chop stems and measure out 1½ cups. Add stems to vegetable mixture when sautéing. Follow recipe as directed.

Stir in reserved watercress leaves along with the half-and-half. Serve hot or chilled.

## CREAMY TOMATO & RED PEPPER BISQUE

*Creamy tomato soup that is special enough for any occasion.*

Makes eight 6-oz. servings

- 1 **teaspoon unsalted butter**
- 1 **teaspoon extra virgin olive oil**
- 1 **small onion (4 ounces), peeled, cut into ½" pieces**
- 1 **rib celery (2 ounces), cleaned, cut into ½" pieces**
- 1 **carrot (2 ounces), peeled, cut into ½" pieces**
- 2 **tablespoons white rice**
- 1 **teaspoon basil**
- 2 **cups fat free, low-sodium chicken or vegetable stock**
- 2 **cans (15½ oz. each) recipe-ready diced tomatoes with juices**
- 2 **roasted red peppers, seeded**
- ½ **teaspoon kosher salt**
- ⅛ **teaspoon white pepper**
- ½ **cup half-and-half**

Heat the butter and olive oil in a Cuisinart® ¾-quart saucepan over medium low heat. Add the onion, celery, and carrot; cover loosely and cook until the vegetables are tender, 8 to 10 minutes. Stir in the rice and basil; cook until rice is opaque, 2 minutes. Stir in the stock, tomatoes and red peppers. Raise heat and bring to a boil. Lower the heat, cover loosely and simmer over low heat for 20 to 25 minutes. Turn off heat and let stand for 5 minutes.

Strain the solids from the cooking liquid, reserving the cooking liquid and returning it to the saucepan. Place the solids in the blender jar. Add 1 cup of the cooking liquid to the blender jar. Set on High. Pulse 10 times to chop, then process for 30 to 40 seconds until totally smooth and creamy. Add the salt and pepper; blend 5 seconds longer. Return the blended tomato mixture to the cooking liquid in the saucepan. Heat on medium until it just begins to simmer, then add the half-and-half. Do not

allow to boil. The soup may be made ahead and reheated – if making ahead, do not add half-and-half until soup is reheated.

*Nutritional information per serving:*

*Calories 87 (28 % from fat) • carb. 13g • pro. 3g • fat 3g  
• sat. fat 1g • chol. 7mg • sod. 367mg • calc. 47mg • fiber 3g*

## PERFECT POPOVERS

*Impress your guests with these deceptively simple popovers that are mixed in a matter of seconds in your Cuisinart® Blender. Our 50-ounce blender is large enough for you to increase this recipe by 50 percent to make a larger batch.*

Makes 18 popovers

- 6 **large eggs**
- 2 **cups all-purpose flour**
- 2 **cups evaporated fat free milk, not reconstituted**
- ½ **teaspoon kosher salt**
- 5 **tablespoons unsalted butter, melted**

Preheat oven to 375°F. Thoroughly coat eighteen ½-cup popover, custard, or muffin cups with cooking spray or melted butter.

Place the eggs, flour, milk and salt in the blender jar in the order listed; cover blender jar. Set on Low. Blend for 10 seconds. Scrape the sides of the jar if needed. With the blender running, add the melted butter in a steady stream and blend for 10 seconds. Let batter rest for 10 to 15 minutes.

Divide the batter evenly among the prepared pans. Bake in the preheated oven until puffy and nicely browned, about 40 minutes. Use a cake tester to pierce each popover several times and bake for an additional 5 minutes. Remove from oven, loosen from pans with a thin bladed knife and gently lift out. Serve hot.

*Nutritional information per popover:*

*Calories 126 (37% from fat) • carb. 14g • pro. 6g • fat 5g  
• sat. fat 3g • chol. 79mg • sod. 91mg • calc. 93mg • fiber 0g*

**For Pesto Popovers:** add ½ cup prepared pesto (page 15) to the batter. Bake as directed.

---

## RICOTTA SPINACH PIE

*Somewhat like a crustless quiche, Ricotta Spinach Pie with Rustic Tomato Sauce makes a simple supper entrée.*

Makes 8 servings

- 1** teaspoon extra virgin olive oil
- ½** ounce Asiago cheese, cut into ½" cubes
- ½** slice white or wheat bread (½ ounce) cut into ½" cubes
- ½** teaspoon dry basil
- 4** large eggs
- 2** cups fresh baby spinach leaves, packed (about 2½ ounces), washed and dried
- 3** cups lowfat ricotta cheese
- ½** teaspoon kosher salt
- ½** teaspoon freshly ground black or white pepper

Preheat oven to 350°F. Use a pastry brush to coat a 10" deep dish pie plate with olive oil and set aside. Place Asiago cheese cubes in blender jar; cover blender jar. Set on Low and pulse 10 to 12 times to grind the cheese. Remove and reserve. Place bread cubes in blender jar and pulse 5 to 10 times to grind; add basil and blend for 5 seconds. Remove and reserve.

Place the eggs, spinach, ricotta, reserved Asiago cheese, salt, and pepper in the blender jar. Set on Low and pulse 10 times, then blend for 15 seconds; use a spatula to scrape the sides of the blender jar. Blend for an additional 15 to 20 seconds. Pour the blended ricotta mixture into the prepared pie plate. Sprinkle evenly with the reserved breadcrumbs. Bake in the preheated 350°F oven for 45 to 50 minutes, until the custard is set and the pie is puffed. Remove and let rest for 5 to 10 minutes. Cut into wedges to serve. Top with Rustic Tomato Sauce, below.

*Nutritional information per serving:*

*Calories 182 (54% from fat) • carb. 6g • pro. 14g • fat 11g  
• sat. fat. 6g • chol. 136mg • sod. 254mg • calc. 291g • fiber 0g*

## SAUCES/DRESSINGS

### RUSTIC TOMATO SAUCE

*Healthy and delicious at the same time!*

Makes about 8 cups

- 1** tablespoon extra virgin olive oil
- 1** onion (8 ounces), peeled and cut into ½" pieces
- 2** carrots (4 ounces), peeled and cut into ½" pieces
- 2** ribs celery, trimmed and cut into ½" pieces
- 4** cloves garlic, peeled
- 1** teaspoon dried oregano
- 1** teaspoon dried basil
- 4** roasted red bell peppers, cut into 1" pieces
- ½** cup dry white wine (such as vermouth)
- 2** tablespoons tomato paste
- 3** cans (15 ounces each) recipe-ready diced tomatoes with juices
- ½** teaspoon kosher salt
- ¼** teaspoon freshly ground black pepper

In a Cuisinart® 3¾-quart saucepan, heat the olive oil over medium heat. Add the onion, carrot, celery, garlic, oregano and basil.

Cover loosely and cook until the vegetables are softened, 6 to 8 minutes. Stir in the roasted red pepper, wine, tomato paste, and tomatoes. Bring to a boil, then reduce heat and simmer for 35 to 40 minutes, loosely covered. Uncover and simmer for 15 to 20 minutes longer to thicken. Turn off heat and let sit 5 minutes.

Strain the solids from the liquids, and return the liquid to the saucepan. Place the solids in the blender jar with ½ cup of the cooking liquid. Cover the blender jar. Set on Low and pulse 10 times to chop. Use a plastic spatula to scrape the sides of the blender jar. Blend for 20 to 30 seconds, until smooth. Return the puréed tomato mixture to the liquid in the saucepan and reheat gently over medium low heat. Add salt and pepper.

*Nutritional information per half-cup serving:*

*Calories 48 (17% from fat) • carb. 8g • pro. 1g • fat 1g  
• sat. fat 0g • chol. 0mg • sod. 194mg • calc. 26mg • fiber 2g*

### BASIC VINAIGRETTE

*This basic vinaigrette is perfect for a crisp green salad.*

Makes about 1½ cups – can be doubled

- 1** clove garlic, peeled
- 2** tablespoons Dijon-style mustard
- ½** cup wine vinegar



- 1** teaspoon kosher salt
- ½** teaspoon freshly ground pepper
- ⅔** cup extra virgin olive oil
- ⅔** cup vegetable oil

Place the garlic in the blender jar and cover jar. Set on Low. Use the Pulse function to chop the garlic, 5 times. Add the mustard, vinegar, salt and pepper. Turn the blender on and blend for 10 to 15 seconds. With the blender running, add the oils in a slow, steady stream, taking about 20 seconds, then blend for 20 seconds longer until completely emulsified.

You may change the Basic Vinaigrette by using a different flavor of vinegar, mustard or oil. Try using fresh lemon juice and a little honey for a honey-mustard vinaigrette. Add fresh herbs, sun-dried tomatoes, or pesto for other flavor variations.

*Nutritional information per tablespoon:*  
 Calories 109 (97% from fat) • carb. 1g • pro. 0g • fat 12g  
 • sat. fat 2g • chol. 0mg • sod. 86mg • calc. 1mg • fiber 0g

## CRACKED PEPPER PARMESAN DRESSING

*A great dressing for pasta salad.*

Makes 1½ cups

- 2** teaspoons whole black peppercorns
- 1** ounce Reggiano Parmigiano, cut into ½" or smaller cubes
- 1** shallot, about 1 ounce, peeled, cut into ½" or smaller pieces
- 1** clove garlic, peeled and smashed
- ½** teaspoon kosher salt
- 1** tablespoon Dijon-style mustard
- ¼** teaspoon Worcestershire sauce
- 2** tablespoons light mayonnaise
- ¼** cup wine vinegar
- ¼** cup extra virgin olive oil
- ¼** cup canola or other flavorless vegetable oil

Place the whole peppercorns in the blender jar. Blend for 10 seconds. Some peppercorns will be pulverized, some will be cracked and crushed; remove and reserve. Place the Parmesan cubes in the blender jar; blend for 20 seconds; scrape sides of blender jar. Add shallot, garlic and salt. Blend for 10 seconds; scrape sides of blender jar.

Add remaining ingredients in order listed; blend for 10 seconds. Add reserved black pepper; blend for 5 seconds. Transfer dressing to a resealable container and refrigerate

for 30 minutes or longer to allow flavors to develop. Keeps for one week in the refrigerator.

*Nutritional analysis per tablespoon:*  
 Calories 58 (90% from fat) • carb. 1g • pro. 1g • fat 6g  
 • sat. fat 1g • chol. 1mg • sod. 74mg • calc. 18mg • fiber 0g

## JAPANESE CARROT GINGER DRESSING

*This dressing is served on the iceberg lettuce salad that often accompanies sushi. It is simple to prepare at home in your Cuisinart® Smart Power Premier™ 600-Watt Blender.*

Makes about 2 cups

- 4** carrots, peeled, and cut into ½" slices
- 1** piece gingerroot, about 2 inches, peeled, cut in ½" pieces
- 1** shallot, peeled, cut into 4 pieces
- 1** clove garlic, peeled
- 1** teaspoon dry mustard
- ½** cup apple juice
- ⅓** cup rice vinegar
- ¼** cup water
- 2** tablespoons mirin (Japanese rice wine)\*
- 1** tablespoon soy sauce
- 1** tablespoon Asian sesame oil

Place all ingredients in blender jar in order listed; cover blender jar. Blend on High for 30 to 40 seconds. Serve with chopped crisp lettuce.

\*Available in Asian markets or gourmet/ethnic foods section of grocery stores.

*Nutritional information per serving (2 tablespoons):*  
 Calories 26 (30% from fat) • carb. 4g • pro. 0g • fat 1g  
 • sat. fat 0g • chol. 0mg • sod. 68mg • calc. 7mg • fiber 4g

## PESTO SAUCE

*Serve as a topping for hot pasta or to add flavor to dips, dressings, or other sauces.*

Makes about ¾ cup

- 1** ounce Parmesan cheese, cut into ½" cubes
- 1-2** cloves garlic, peeled
- ⅓** cup extra virgin olive oil
- 2** cups fresh basil leaves, loosely packed\*
- 3** tablespoons lightly toasted pine nuts or walnuts

Place cheese cubes in blender jar; cover blender jar. Set on Low. Use Pulse to chop the cheese, 10 to 15 pulses. Remove and reserve cheese. Add garlic to blender jar; cover and Pulse to chop, 10 to 15 pulses. Add remaining ingredients in



order listed, including reserved cheese. Cover blender jar; blend on High until combined, about 30 to 40 seconds. Pesto may be stored in refrigerator in an airtight container. After placing in container, smooth over top, and drizzle with additional olive oil to cover surface and keep from turning dark. Stir oil in before using.

*Nutritional information per serving (1½ tablespoons):*  
Calories 116 (87% from fat) • carb. 1g • pro. 2g • fat 12g  
• sat. fat 2g • chol. 3mg • sod. 45mg • calc. 61mg • fiber 0g

\* **For Spinach Pesto:** Add ½ teaspoon fennel seed and 2 teaspoons dried basil when chopping the garlic. Substitute 2 cups washed and dried baby spinach leaves for the basil.

## WASABI GINGER SAUCE/MARINADE

*Use this versatile sauce as a marinade for meats and seafood, a dressing for salads, or a dipping sauce for potstickers, dumplings or Mongolian Hot Pot.*

Makes about 2 cups

- ½ ounce fresh gingerroot, peeled, cut into ½" or smaller pieces
- 1 small shallot (½ ounce), peeled, cut into ½" or smaller pieces
- 1 clove garlic, peeled
- ¾ cup mirin or rice wine\*
- ¾ cup low-sodium soy or tamari sauce
- ¼ cup seasoned rice or wine vinegar
- 2 tablespoons dark molasses
- 2 tablespoons prepared wasabi paste\*
- 1 tablespoon brown sugar, packed
- 1 tablespoon Asian sesame oil (toasted sesame oil)
- 2 teaspoons powdered ginger
- ½ teaspoon freshly ground black pepper

Place ginger, shallot and garlic in blender jar; cover blender jar. Set on Low; pulse 5 times. Scrape sides of jar; pulse 5 times. Add remaining ingredients in order given. Blend for 20 seconds. Transfer to a resealable container and let stand for 30 minutes before using to allow flavors to develop. Unused portions may be refrigerated for up to a week; stir before using.

\*Available in Asian markets or gourmet/ethnic foods section of grocery stores.

**Tip:** Use about 1 tablespoon of marinade per portion. Meats such as boneless, skinless chicken parts, pork chops, or steaks may be placed in a resealable freezer weight bag, coated with marinade and frozen. When thawed, they will be fully marinated and ready to cook.

*Nutritional analysis per tablespoon:*  
Calories 22 (18% from fat) • carb. 3g • pro. 0g • fat 0g  
• sat. fat 0g • chol. 0mg • sod. 183mg • calc. 14mg • fiber 0g

## CAJUN CREOLE SPICE BLEND

*Our Cajun Creole Spice Blend is a comparable alternative to purchased spice mixtures, but much fresher and more economical. Adjust the spiciness to taste with the amount of cayenne used.*

Makes about ½ cup

- 2 teaspoons coriander seed
- 1 teaspoon mustard seed
- ½ teaspoon celery seed
- ½ teaspoon white peppercorns
- ½ teaspoon black peppercorns
- 1 bay leaf, roughly broken
- 3 tablespoons sweet paprika
- 1 tablespoon kosher salt
- ½ tablespoon sugar
- 2 teaspoons dried minced garlic
- 2 teaspoons minced dry onions
- 1-2 teaspoons cayenne pepper, to taste
- 2 teaspoons dry oregano
- 1 teaspoon dry thyme leaves
- 1 teaspoon dry basil
- ½ teaspoon dry rosemary
- ½ teaspoon ground allspice

Place the coriander seed, mustard seed, celery seed, all peppercorns, and bay leaf in the blender jar. Cover jar and set on Low. Blend until seeds are finely ground, 10 to 15 seconds. Add the remaining ingredients and blend until no signs of the bay leaf are visible, about 20 to 30 seconds.

Use as a rub for meat, poultry, or seafood before sautéing, roasting or grilling, or add as a seasoning to rice or dressing to brighten up flavors.

*Nutritional analysis per tablespoon:*  
Calories 18 (24% from fat) • carb. 4g • pro. 1g • fat 1g  
• sat. fat 0g • chol. 0mg • sod. 501mg • calc. 23mg • fiber 1g

---

## DESSERTS/SWEET SAUCES

### COOKIE CRUST PUMPKIN PIE

*The traditional holiday favorite is made with a cookie crumb crust for a crunchy change.*

Makes 12 servings

#### **Crust:**

- 2/3 cup pecan halves**
- 45 vanilla wafers (may use reduced fat)**
- 1/3 cup unsalted butter, melted**

#### **Pumpkin Filling:**

- 2 large eggs**
- 1/2 cup brown sugar**
- 1 can (12 ounces) evaporated fat free milk**
- 1 can (15-16 ounces, 1 1/2 cups) solid pack pumpkin (not pie filling)**
- 1 tablespoon cornstarch**
- 1/4 cup molasses**
- 1 tablespoon vanilla extract**
- 1 teaspoon cinnamon**
- 1 teaspoon ginger**
- 1/4 teaspoon freshly grated nutmeg**

Preheat the oven to 375°F.

Place the pecans in the blender jar; cover the blender jar. Set on Low and pulse 8 to 10 times to chop finely. Remove and transfer to a 10" deep-dish pie plate. Place 15 cookies in the blender jar; cover the blender jar. Set on High and pulse 5 times to chop the cookies, then blend for 10 seconds to pulverize; add the cookie crumbs to the nuts in the pie plate and repeat with the remaining cookies. Stir the nuts and cookies with a fork to blend; add the melted butter and stir to combine. Press the cookie/nut mixture evenly onto the sides and bottom of the pie plate. Bake in the preheated 375°F oven for 5 minutes. Remove and let cool on a rack while continuing. Lower the oven temperature to 350°F.

Place the eggs and remaining ingredients in the blender jar in the order listed; cover the blender jar. Set on Low and blend until smooth, about 10 to 15 seconds. Pour the pumpkin mixture into the prepared cookie crust. Bake in the preheated 350°F oven for 55 to 60 minutes. Center of the pie may appear slightly jiggly – it will continue to set as the pie cools. Place the pie on a rack and cool completely before serving. Refrigerate after completely cool.

*Nutritional information per serving:*

*Calories 252 (41% from fat) • carb. 33g • pro. 5g • fat 12g  
• sat. fat 4g • chol. 42mg • sod. 117mg • calc. 129mg • fiber 2g*

### CLASSIC CHERRY CLAFOUTIS

*This traditional country French dessert can be made with cherries, plums, peaches, pears or any other berry. We have added finely ground almonds or hazelnuts for that certain "je ne sais quoi."*

Makes 8 servings

- 2 teaspoons unsalted butter, melted**
- 1/4 cup + 4 teaspoons granulated sugar, divided**
- 1 ounce almonds or hazelnuts (toasted gives best flavor)**
- 3/4 cup evaporated fat free milk (not reconstituted)**
- 1/4 cup heavy cream**
- 3 large eggs**
- 1 tablespoon vanilla extract**
- 1 tablespoon brandy or amaretto**
- 1/8 teaspoon salt**
- 1/2 cup all-purpose flour**
- 1/4 teaspoon ground cinnamon**
- 12 ounces pitted cherries (thawed if using frozen)**

Preheat oven to 325°F. Brush a six-cup oval baker or gratin dish with the melted butter. Dust with 2 teaspoons of the granulated sugar. Place 1/4 cup of the sugar and the nuts in blender jar; cover blender jar. Set on Low and pulse 10 to 15 times to chop the nuts. Add the evaporated milk, cream, eggs, vanilla, brandy, salt, flour, and cinnamon. Blend for 10 seconds. Mixture will be smooth and creamy – do not overblend.

Arrange the cherries in the bottom of the prepared baking dish. Carefully pour the batter over the cherries. Place in the preheated oven and bake for 35 minutes. After 35 minutes, sprinkle evenly with the remaining 2 teaspoons of sugar. Continue to bake for an additional 15 to 20 minutes, until the clafoutis is puffed and golden brown. Remove from the oven and cool for 10 minutes before serving. Serve with sweetened whipped cream.

*Nutritional information per serving:*

*Calories 211 (40% from fat) • carb. 23g • pro. 8g • fat 10g  
• sat. fat 3g • chol. 92mg • sod. 113mg • calc. 158mg • fiber 1g*

### QUICK BERRY SAUCE

*Serve with ice cream or cheesecake.*

Makes about 2 cups

- 12 ounces fresh or frozen, thawed strawberries or raspberries**
- 1/2 cup red berry preserves**
- 1 tablespoon sugar**
- 1 tablespoon fresh lemon juice**

---

Place all ingredients in blender jar; cover blender jar. Set on High. Blend until smooth and completely puréed, 20 to 30 seconds. Strain mixture through a fine sieve to remove seeds; discard seeds. Store in an airtight container in refrigerator. Serve with desserts, pancakes or waffles.

*Nutritional information per serving (¼ cup):*  
Calories 128 (0% from fat) • carb. 33g • pro. 1g • fat 0g  
• sat. fat 0g • chol. 0mg • sod. 5mg • calc. 14mg • fiber 2g

## CHOCOLATE SAUCE

*Change the vanilla to mint for Mint Chocolate sauce.*

Makes ¼ cups / 20 tablespoons

- 4 ounces good quality bittersweet or semisweet chocolate, broken into ½" pieces**
- 4 ounces good quality milk chocolate, broken into ½" pieces**
- 2 tablespoons sugar**
- ½ cup fat free milk, heated until just bubbling around the edges**
- 1½ teaspoons pure vanilla extract**

Place all the chocolate in the blender jar; cover blender jar. Set on Low. Pulse to chop the chocolate, 10 to 15 times. Add the sugar; process to chop, 20 seconds. With the blender running, remove the measured pour cup. Pour the hot milk slowly and carefully through the pour lid and blend, until the chocolate is melted and smooth, 1 minute. Add the vanilla; blend to combine, 10 seconds. Serve warm or let cool; place in an airtight container and refrigerate. Reheat before serving.

*Nutritional information per serving (1 tablespoon):*  
Calories 65 (50% from fat) • carb. 8g • pro. 1g • fat 4g  
• sat. fat 2g • chol. 1g • sod. 3mg • calc. 11mg • fiber 0g

## LIMITED THREE-YEAR WARRANTY

This warranty is available to consumers only. You are a consumer if you own a Cuisinart® SmartPower Premier™ 600-Watt Blender that was purchased at retail for personal, family or household use. Except as otherwise required under applicable law, this warranty is not available to retailers or other commercial purchasers or owners.

We warrant that your Cuisinart® SmartPower Premier™ 600-Watt Blender will be free of defects in materials and workmanship under normal home use for 3 years from the date of original purchase.

We suggest you complete and return the enclosed product registration card promptly to facilitate verification of the date of original purchase. However, return of the product registration card does not eliminate the need for the consumer to maintain the original proof of purchase in order to obtain the warranty benefits. In the event that you do not have proof of purchase date, the purchase date for purposes of this warranty will be the date of manufacture.

If your Cuisinart® SmartPower Premier™ 600-Watt Blender should prove to be defective within the warranty period, we will repair it, or if we think necessary, replace it. To obtain warranty service, simply call our toll-free number 1-800-726-0190 for additional information from our Customer Service Representatives, or send the defective product to

Customer Service at Cuisinart  
150 Milford Road  
East Windsor, NJ 08520

To facilitate the speed and accuracy of your return, please enclose \$10.00 for shipping and handling of the product.

Please pay by check or money order (California residents need only supply proof of purchase and should call 1-800-726-0190 for shipping instructions).

**NOTE:** For added protection and secure handling of any Cuisinart® product that is being returned, we recommend you use a traceable, insured delivery service. Cuisinart cannot be held responsible for in-transit damage or for packages that are not delivered to us. Lost and/or damaged products are not covered under warranty. Please be sure to include your return address, daytime phone number, description of the product defect, product model number (located on bottom of product), original date of purchase, and any other information pertinent to the product's return.

Your Cuisinart® SmartPower Premier™ 600-Watt Blender has been manufactured to the strictest specifications and has been designed for use with the authorized accessories and replacement parts.

This warranty expressly excludes any defects or damages caused by accessories, replacement parts, or repair service other than those that have been authorized by Cuisinart.

This warranty does not cover any damage caused by accident, misuse, shipment or other ordinary household use.

This warranty excludes all incidental or consequential damages. Some states do not allow the exclusion or limitation of these damages, so they may not apply to you.

---

**CALIFORNIA RESIDENTS ONLY:**

California law provides that for In-Warranty Service, California residents have the option of returning a nonconforming product (A) to the store where it was purchased or (B) to another retail store which sells Cuisinart products of the same type.

The retail store shall then, at its discretion, either repair the product, refer the consumer to an independent repair facility, replace the product, or refund the purchase price less the amount directly attributable to the consumer's prior usage of the product. If the above two options do not result in the appropriate relief to the consumer, the consumer may then take the product to an independent repair facility if service or repair can be economically accomplished. Cuisinart and not the consumer will be responsible for the reasonable cost of such service, repair, replacement, or refund for nonconforming products under warranty.

California residents may also, according to their preference, return nonconforming products directly to Cuisinart for repair, or if necessary, replacement, by calling our Consumer Service Center toll-free at 1-800-726-0190.

Cuisinart will be responsible for the cost of the repair, replacement, and shipping and handling for such products under warranty.

**BEFORE RETURNING YOUR CUISINART® PRODUCT**

If you are experiencing problems with your Cuisinart® product, we suggest that you call our Cuisinart® Service Center at 1-800-726-0190 before returning the product serviced. If servicing is needed, a Representative can confirm whether the product is under warranty and direct you to the nearest service location.

Important: If the nonconforming product is to be serviced by someone other than Cuisinart's Authorized Service Center, please remind the servicer to call our Consumer Service Center at 1-800-726-0190 to ensure that the problem is properly diagnosed, the product is serviced with the correct parts, and the product is still under warranty.

# Cuisinart®

SAVOR THE GOOD LIFE®



Coffeemakers



Food Processors



Toaster Ovens



Wafflemakers



Cookware



Ice Cream Makers

Cuisinart offers an extensive assortment of top quality products to make life in the kitchen easier than ever. Try some of our other countertop appliances and cookware, and Savor the Good Life®.

**[www.cuisinart.com](http://www.cuisinart.com)**

Any other trademarks or service marks of third parties referred to herein are the trademarks or services of their respective owners.

©2008 Cuisinart  
Cuisinart® is a registered trademark of Cuisinart  
150 Milford Road  
East Windsor, NJ 08520  
Printed in China  
08CU246

U IB-7530

**Cuisinart®**  
S A V O R   T H E   G O O D   L I F E ®



Cafeteras



Procesadoras



Tostadores



Gorras



Bateras de cocina



Máquinas para hacer helados

Cuisinart ofrece una extensa colección de productos de alta calidad, diseñados para volver su trabajo en la cocina más fácil que nunca. Pruebe algunos de nuestros electrodomésticos o ollas y disfrute la vida.

**[www.cuisinart.com](http://www.cuisinart.com)**

©2008 Cuisinart  
Cuisinart® es una marca registrada de Cuisinart

150 Milford Road  
East Windsor, NJ 08520  
Impreso en la China

08CU246

U IB-7530

Todas marcas registradas o marcas de comercio mencionadas en esta pertenecen a sus titulares respectivos.

15 veces a velocidad baja. Agregue el azúcar y siga licuando durante 20 segundos. Sin apagar la licuadora, vierta la leche caliente lentamente por la abertura en la tapa. Cierre el tapón. Siga licuando durante 1 minuto, hasta que el chocolate esté completamente derretido. Agregue el extracto de vainilla y licue durante 10 segundos adicionales. Conserve la salsa en un recipiente hermético en el refrigerador. Recaliente la antes de servir la y sirvala caliente o tibia.

## GARANTÍA LIMITADA POR 3 AÑOS

*Valor nutricional por porción (1 cucharada):*  
Calorías 65 (50% de grasa) • Carbohidratos 8g • Proteínas 1g • Grasa 4g • Grasa saturada 2g • Colesterol 1mg • Sodio 3mg • Calcio 1mg • Fibra 0g

Esta garantía es para los consumidores solamente. Usted es un consumidor si ha comprado su Licuadora de 600 Vatios SmartPower Premier™ de Cuisinart® en una tienda, para uso personal o casero. A excepción de los estados donde la ley lo especifique, esta garantía no es para los detallistas u otros comerciantes. Cuisinart® garantiza la Licuadora de 600 Vatios SmartPower Premier™ contra todo defecto de mano de obra o en los materiales durante 3 años después de la fecha de compra original, siempre en cuando el aparato haya sido usado para uso casero, tal como se describe. Le aconsejamos que llene y regrese por correo el formulario de registro adjunto a fin de facilitar la verificación de la fecha de compra original. Sin embargo, regrese el formulario de registro no es obligatorio para recibir servicio bajo esta garantía. En ausencia del recibo de compra, el periodo de garantía será de 16 meses a partir de la fecha de fabricación. Para obtener servicio bajo esta garantía, llame a la línea gratis de asistencia al consumidor al 1-800-726-0190 o regrese el aparato defectuoso a Cuisinart Service Department 150 Wilford Road East Windsor, NJ 08520

Regrese el aparato defectuoso, junto con su recibo de compra y un cheque o giro postal de \$10,00US por gastos de envío y manejo (los residentes de California solo necesitan dar una prueba de compra y deben llamar al 1-800-726-0190 para recibir instrucciones de envío). Incluya su nombre, dirección y teléfono, una descripción del problema, así como cualquier información pertinente. **NOTA:** Para mayor protección, le aconsejamos que mande su paquete por un método de entrega asegurada y con trazabilidad. Cuisinart no será responsable de los daños ocurridos durante el transporte o de los paquetes no mandados a nuestra dirección. Los aparatos perdidos y/o lastimados durante el envío no serán cubiertos bajo esta garantía. La Licuadora de 600 Vatios SmartPower Premier™ de Cuisinart® satisface las más altas exigencias de fabricación y ha sido diseñado para uso con los accesorios

autorizados para la Licuadora de 600 Vatios SmartPower Premier™ de Cuisinart® y las partes de repuesto para este modelo exclusivamente. Esta garantía excluye los daños causados por accesorios, partes o reparaciones no autorizados por Cuisinart. Esta garantía excluye los daños incidentales o consecuentes. Algunos Estados no permiten la exclusión o limitación de daños incidentales o consecuentes, de modo que las limitaciones mencionadas pueden no regir para usted. **RESIDENTES DE CALIFORNIA SOLAMENTE** La ley del estado de California ofrece dos opciones bajo el periodo de garantía. Los residentes del estado de California pueden (A) regresar el producto defectuoso a la tienda donde lo compraron o (B) regresar el aparato defectuoso a otra tienda que venda productos Cuisinart de este tipo. La tienda, a su opción, reparará el producto, referirá el consumidor a un centro de servicio independiente, cambiará el producto o reembolsará el consumidor por el precio original del producto, menos la cantidad imputable al uso del producto por el consumidor antes de que se dañe. Si estas dos opciones no satisfacen al consumidor, puede llevar el aparato a un centro de servicio independiente, siempre en cuando se pueda ajustar o reparar de manera económica. Cuisinart, no el consumidor, será responsable por los gastos de servicio, reparación, reemplazo o reembolso de los aparatos defectuosos durante el periodo de garantía. Los residentes de California también pueden, si lo desean, mandar el aparato defectuoso directamente a Cuisinart para que lo reparen o lo cambien si fuera necesario. Para esto, se debe llamar a la línea gratis de asistencia al consumidor al 1-800-726-0190. Cuisinart será responsable por los gastos de reparación, reemplazo, envío y manejo de los productos defectuosos durante el periodo de garantía.

### ANTES DE HACER REPARAR SU APARATO

Si su aparato tiene algún problema, le recomendamos que llame al servicio de asistencia al consumidor de Cuisinart® al 1-800-726-0190 antes de mandar el aparato. Un representante le confirmará si su aparato está bajo garantía todavía y le indicará la dirección del centro de servicio más cercano a su domicilio. **Importante:** Si debe llevar el aparato defectuoso a un centro de servicio no autorizado, por favor informe al personal del centro de servicio que deberán llamar al servicio de asistencia al consumidor de Cuisinart® al 1-800-726-0190 a fin de diagnosticar el problema correctamente, usar las partes correctas para repararlo y asegurarse que el producto esté bajo garantía todavía.



Ponga los huevos y el resto de los ingredientes en la jarra de la licuadora, mezcle a velocidad baja durante 10 a 15 segundos, hasta obtener una consistencia cremosa. Vierta la mezcla en el molde y ponga la torta a cocer en el horno durante 55 a 60 minutos. El centro de la torta puede parecer medio cocido. Esto es normal. Endurecerá a medida que la torta enfría. Permita que la torta enfrije completamente antes de servir. Cuando esté fría, refrigérela.

Valor nutricional por porción:  
Calorías 252 (41% de grasa) • Carbohidratos 33g • Proteínas 5g • Grasa 12g • Grasa saturada 4g • Colesterol 42mg • Sodio 117mg • Calcio 129mg • Fibra 2g

## CLAFUTI DE CEREZAS

Tradicional postre francés que puede prepararse con cerezas, duraznos, peras, ciruelas o cualquier tipo de bayas. Decídmnos añadir almendras o avellanas molidas para que sea aún más interesante.

8 porciones

2 cucharaditas de mantequilla sin sal, derretida

¼ taza + 4 cucharaditas de azúcar granulado

1 onza de almendras o de avellanas (tostadas para realzar su sabor)

¾ taza de leche evaporada sin grasa (en lata, no en polvo)

¼ taza de doble crema

3 huevos grandes

1 cucharada de extracto de vainilla

1 cucharada de brandy o amaretto

⅛ cucharadita de sal

½ taza de harina

¼ cucharadita de canela en polvo

12 onzas de cerezas sin pepas (frescas o descongeladas)

azúcar remanente encima del pastel. Regrese el clafouti en el horno y siga cocinándolo durante 15 a 20 minutos, hasta que esté bien dorado. Retirelo del horno y permita que enfrije durante 10 minutos antes de servir. Sirvalo con nata montada.

Valor nutricional por porción:  
Calorías 211 (40% de grasa) • Carbohidratos 23g • Proteínas 8g • Grasa 10g • Grasa saturada 3g • Colesterol 92mg • Sodio 113mg • Calcio 158mg • Fibra 1g

## SALSA DE BAYAS

Para aderezar helado o tarta de queso

8 porciones de ¼ taza

12 onzas de fresas o frambuesas (frescas o descongeladas)

½ taza de conserva de bayas rojas

1 cucharada de azúcar granulado

1 cucharada de jugo de limón

Ponga todos los ingredientes en la jarra de la licuadora, en el orden indicado. Cierre la tapa. Licue durante 20 a 30 segundos a velocidad alta. Cuela la mezcla con colador de malla fina y bote las semillas. Conserve la salsa en un recipiente hermético en el refrigerador. Sirvala con helado, postres, gófrés o tortillas.

Valor nutricional por porción:  
Calorías 128 (0% de grasa) • Carbohidratos 33g • Proteínas 1g • Grasa 0g • Grasa saturada 0g • Colesterol 0mg • Sodio 5mg • Calcio 14mg • Fibra 2g

## SALSA DE CHOCOLATE

Para servir con helado o postres

1 ¼ taza (20 cucharadas)

4 onzas de chocolate semi-amargo o semi-dulce de buena calidad, cortado

4 en pedacitos de ½ pulgada

4 onzas de chocolate con leche de buena calidad, cortado en pedacitos de

½ pulgadas

2 cucharadas de azúcar granulado

½ taza de leche descremada, calentada

1 ½ cucharadita de extracto de vainilla puro

Ponga el chocolate en la jarra de la licuadora. Cierre la tapa. Pulse 10 a

Precaliente el horno en 325°F. Prepare un molde rectangular u ovalado con mantequilla derretida y espolvoreelo con 2 cucharaditas de azúcar granulado. Ponga ¼ taza de azúcar y las almendras/avellanas en la jarra de la licuadora. Cierre la tapa. Pulse 10 a 15 veces a velocidad baja. Agregue la leche evaporada, la crema, los huevos, el extracto de vainilla, el alcohol, la sal, la harina y la canela. Licue durante 10 segundos, hasta obtener una consistencia cremosa. No licue demasiado.

Ponga las cerezas en el fondo del molde y vierta la mezcla en el mismo. Ponga el clafouti a cocer en el horno precalentado durante 35 minutos. Después de 35 minutos, retirelo del horno y esparza las 2 cucharaditas del

congelación. La carne, el pollo o el pescado estará listo para cocinarse después de descongelarse.

Valor nutricional por porción (1½ cucharadita):

Calorías 22 (18% de grasa) • Carbohidratos 3g • Proteínas 0g • Grasa 1g • Grasa saturada 0g • Colesterol 0mg • Sodio 18mg • Calcio 14mg • Fibra 0g

## ESPECIAS ESTILO CAJÓN

Prepáre una deliciosa mezcla de especias, a una fracción del precio de las tiendas. Ideal para aliñar pescado, cerdo o pollo, o para mezclar con pan rallado para hacer empanados.

½ taza

- 2 cucharaditas de semillas de culantro
- 1 cucharadita de semillas de mostaza
- ½ cucharadita de granos de pimienta blanca
- ½ cucharadita de granos de pimienta negra
- 1 hoja de laurel, cortada en pedazos
- 3 cucharadas de páprika dulce
- 1 cucharadita de sal kosher
- ½ cucharadita de azúcar granulada
- 2 cucharaditas de ajo en polvo
- 2 cucharaditas de cebolla en polvo
- 1-2 cucharaditas de pimentón, al gusto
- 2 cucharaditas de orégano seco
- 1 cucharadita de tomillo seco
- 1 cucharadita de albahaca seca
- ½ cucharadita de romero seco
- ½ cucharadita de pimienta de olor en polvo

Ponga las semillas de culantro, las semillas de mostaza, las semillas de apio, los granos de pimienta y la hoja de laurel en la jarra de la licuadora. Cierre la tapa. Licue a velocidad baja durante 10 a 15 segundos. Agregue el resto de los ingredientes en el orden indicado y licue durante 20 a 30 segundos, hasta que todos los ingredientes estén molidos.

Use las especias para sazonar carne, pollo, pescado o mariscos antes de asarlos o freírlos. También pueden usarse para sazonar arroz o salsas.

Valor nutricional por porción (1½ cucharadita):

12 porciones

**Corteza:**

- ¾ taza de mitades de pacanas
- 45 bizcochos de vainilla (bajos en grasa o no)
- ½ taza de mantequilla sin sal, derretida

**Relleno:**

- 2 huevos grandes
- ½ taza de azúcar moreno
- 1 lata de 12 onzas de leche evaporada sin grasa
- 1 lata (15-16 onzas o 1½ taza) de calabaza (no relleno para torta)
- 1 cucharada de almidón de maíz
- ¼ taza de melaza
- 1 cucharada de aceite de vainilla
- 1 cucharadita de canela en polvo
- 1 cucharadita de jengibre en polvo
- ¼ cucharadita de nuez moscada recién rallada

Precaliente el horno en 375°F.

Ponga las pacanas en la jarra de la licuadora. Cierre la tapa. Pulse 8 a 10 veces a velocidad baja. Saque las pacanas picadas y póngalas en un molde redondo y hondo de 10 pulgadas de diámetro. Ponga 15 galletas en la jarra de la licuadora. Cierre la tapa. Pulse 5 veces a velocidad alta, luego licue durante 10 segundos. Ponga las galletas molidas en el molde con las nueces. Procese el resto de las galletas de la misma manera y combínelas con las pacanas. Comprima la mezcla de pacanas y galletas en el fondo y en los lados del molde. Cueza la corteza en el horno precalentado durante 5 minutos. Saque la corteza del horno y permita que enfríe. Baje la temperatura del horno a 350°F.

## TORTA DE CALABAZA CON CORTEZA DE GALLETAS

### POSTRES Y SALSAS DULCES

Calorías 18 (24% de grasa) • Carbohidratos 4g • Proteínas 1g • Grasa 1g 8 Grasa saturada 0g • Colesterol 0mg 8 Sodio 501mg • Calcio 23mg • Fibra 1g

Receta tradicional del Día de Acción de Gracias. Utilizamos corteza de galletas para que la torta sea más crujiente.

## SALSA JAPONESA CON ZANAHORIA Y JENGIBRE

Adezero para la lechuga crujiente que acompaña generalmente los *sushis*. Muy fácil de preparar.

2 tazas

- 4 zanahorias, cortadas en rodajas de ½ pulgada
- 1 pedazo de jengibre de 2 pulgadas de largo, cortado en rodajas de ½ pulgada
- 1 chalote, cortado en 4 pedazos
- 1 diente de ajo
- 1 cucharadita de mostaza
- ½ taza de jugo de manzana
- ⅓ taza de vinagre de arroz
- ¼ taza de agua filtrada o mineral
- 2 cucharadas de vino de arroz japonés (mirin)\*
- 1 cucharada de salsa de soja
- 1 cucharada de salsa de sésamo asiática

Ponga todos los ingredientes en la jarra, en el orden indicado. Cierre la tapa. Licue a velocidad alta durante 30 a 40 segundos. Use la salsa para aderezar lechuga fresca muy crujiente.

\* Disponible en los mercados asiáticos.

Valor nutricional por porción (2 cucharaditas):

Calorías 26 (30% de grasa) • Carbohidratos 4g • Proteínas 0g • Grasa 1g • Grasa saturada 0g • Colesterol 0mg • Sodio 68mg • Calcio 7mg • Fibra 4g

## PESTO

Acompaña pastas o se mezcla con otras salsas para darle más sabor.

¾ tazas

- 1 onza de queso parmesano, cortado en cubitos de ½ pulgada
- 1-2 dientes de ajo
- ⅓ taza de aceite de oliva puro
- 2 tazas de hojas de albahaca\*
- 3 cucharadas de nueces o piñones tostados

Ponga el queso en la jarra de la licuadora. Cierre la tapa. Pulse 10 a 15 veces a velocidad baja para picar el queso. Retire el queso de la jarra.

Ponga el ajo en la jarra. Cierre la tapa. Pulse 10 a 15 veces. Agregue el resto de los ingredientes en el orden indicado, incluso el queso picado.

Cierre la tapa. Licue a velocidad alta durante 30 a 40 segundos. Conserve

## ALINO DE WASABI CON JENGIBRE

*Alino para carne, pollo o pescado que también puede servir de salsa para acompañar ensaladas o albóndigas asiáticas*

2 tazas

- ½ onza de jengibre fresco, cortado en pedacitos de ½ pulgada
- 1 chalote pequeño, cortado en pedacitos de ½ pulgada
- 1 diente de ajo
- ¾ taza de vino de arroz (mirin)\*
- ¾ taza de salsa de soja o salsa tamari baja en sodio
- ¼ taza de vinagre de vino o de arroz
- 2 cucharadas de melaza
- 2 cucharadas de pasta wasabi\*
- 1 cucharada de azúcar morena
- 1 cucharada de aceite de sésamo tostado
- 2 cucharaditas de jengibre en polvo
- ½ cucharadita de pimienta negra recién molida

\* **Variación:** Sustituya la albahaca por espinacas y agregue ½ cucharadita de semillas de hinojo y 2 cucharaditas de albahaca seca cuando pique el ajo.

Valor nutricional por porción (1½ cucharadita):  
Calorías 116 (87% de grasa) • Carbohidratos 1g • Proteínas 2g • Grasa 12g • Grasa saturada 2g • Colesterol 3mg • Sodio 45mg • Calcio 61mg • Fibra 0g

el pesto en un recipiente hermético en el refrigerador. Vierta una capa de aceite de oliva encima del pesto para evitar que negree. Revuélvalo antes de usarlo.

Ponga el jengibre fresco, el chalote y el ajo en la jarra de la licuadora. Cierre la tapa. Pulse 5 veces a velocidad baja. Raspe los lados de la jarra. Pulse 5 veces más. Agregue el resto de los ingredientes en el orden indicado. Licue durante 20 segundos. Ponga el alino en un recipiente hermético y refrigérello durante 30 minutos antes de usarlo. El alino puede conservarse en el refrigerador durante una semana. Revuélvalo antes de usarlo.

\* Disponibles en los mercados asiáticos.

Consejo: Utilice una cucharada de alino por porción de carne, pollo o pescado. Alíne los alimentos y póngalos en una funda de plástico para

- 4 pimientos rojos asados, cortados en pedazos de 1 pulgada
- ½ taza de vino blanco seco (como Vermouth)
- 2 cucharadas de pasta de tomate
- 3 latas (15 onzas cada una) de tomates precocidos cortados en cubitos
- ½ cucharadita de sal kosher
- ¼ cucharadita de pimienta negra recién molida

Caliente el aceite en una olla media. Agregue la cebolla, la zanahoria, el ajo, el ajo, el orégano y la albahaca. Cubra parcialmente la olla y cueza durante 6 a 8 minutos, hasta que los vegetales estén suaves. Agregue el pimiento rojo, el vino, la pasta de tomate y los tomates. Permita que hierva luego reduzca el fuego y cueza a fuego lento durante 35 a 40 minutos, la olla parcialmente cubierta. Retire la tapa de la olla y siga cocinando durante 15 a 20 minutos. Retire la olla del fuego y permita que la mezcla repose durante 5 minutos.

Cuela los vegetales y regrese el líquido en la olla. Ponga los vegetales y ½ taza del líquido en la jarra de la licuadora. Cierre la tapa de la jarra. Pulse 10 veces a velocidad baja. Raspes los lados de la jarra con una espátula de plástico. Licue durante 20 a 30 segundos. Ponga los vegetales licuados en la olla y recaliente la salsa a fuego medio-lento. Sazone al gusto con sal y pimienta.

## VINAGRETA TRADICIONAL

*Perfecta para sazonar sus ensaladas*

- 1½ taza
- 1 diente de ajo
- 2 cucharadas de mostaza
- ½ taza de vinagre de vino
- 1 cucharada de sal kosher
- ½ cucharadita de pimienta recién molida
- 2/3 taza de aceite de oliva puro
- 2/3 taza de aceite vegetal

Ponga el ajo en la jarra de la licuadora. Cierre la tapa. Pulse 5 veces a velocidad baja para picarlo. Agregue la mostaza, el vinagre, la sal y la

1 ¼ taza

*Sabroso aderezo para ensalada de pasta*

## SALSA DE PARMESANO Y PIMIENTA FRESCA

*Valor nutricional por cucharada:*  
Calorias 109 (97% de grasa) • Carbohidratos 1g • Proteínas 0g • Grasa 12g • Grasa saturada 2g • Colesterol 0mg • Sodio 86mg • Calcio 1mg • Fibra 0g

pimienta y licue durante 10 a 15 segundos. Mientras sigue licuando, agregue los aceites lentamente (20 segundos). Licue durante 20 segundos adicionales para emulsionar la vinagreta.  
 Variaciones: Para cambiar el gusto de la vinagreta, utilice otro tipo de vinagre, de mostaza o de aceite. También puede substituirlos por jugo de limón y miel, o agregar hierbas frescas, pesto, tomates secados al sol, etc.

- 2 cucharaditas de granos de pimienta negra
- 1 onza de queso parmesano, cortado en cubitos de ½ pulgadas
- 1 chalote, cortado en pedacitos de ½ pulgada
- 1 diente de ajo machacado
- ½ cucharadita de sal kosher
- 1 cucharada de mostaza
- ¼ cucharadita de salsa Worcestershire
- 2 cucharadas de mayonesa "light"
- ¼ taza de vinagre de vino
- ¼ taza de aceite de oliva puro
- ¼ taza de aceite de canola u otro aceite vegetal

Ponga los granos de pimienta en la jarra y cierre la tapa. Licue a velocidad alta durante 10 segundos. Algunos granos resultarán pulverizados, otros picados. Retire la pimienta de la jarra. Ponga el queso parmesano en la jarra y licue durante 20 segundos. Raspes los lados de la jarra con una espátula de plástico. Agregue el chalote, el ajo y la sal. Licue durante 10 segundos. Raspes los lados de la jarra.

Agregue el resto de los ingredientes, en el orden indicado, y licue durante 10 segundos. Agregue la pimienta molida y siga licuando durante 5 segundos adicionales. Vierta la salsa en un recipiente hermético y refrigérela durante 30 minutos antes de usarla. La salsa se puede conservar en el refrigerador durante una semana.

*Valor nutricional por cucharada:*  
Calorias 58 (99% de grasa) • Carbohidratos 1g • Proteínas 1g • Grasa 6g • Grasa saturada 1g • Colesterol 1mg • Sodio 74mg • Calcio 18mg • Fibra 0g

## “POPOVERS” PERFECTOS

*Impresione a sus invitados con estos sofisticados panchos aéreos, muy fáciles de preparar con su licuadora Cuisinart®. La capacidad de su licuadora le permite un 50% más masa si lo desea.*

18 “popovers”

- 6 huevos grandes
- 2 tazas de harina
- 2 tazas de leche evaporada sin grasa (en lata, no en polvo)
- ½ cucharadita de sal kosher
- 5 cucharadas de mantequilla sin sal, derretida

Precaliente el horno en 375°F. Prepare 18 moldes para muffins o recipientes pequeños con mantequilla o Spray para hornear.

Ponga los huevos, la harina, la leche evaporada y la sal en la jarra de la licuadora, en el orden indicado. Cierre la tapa. Licue durante 10 segundos. Raspe los lados de la jarra si fuera necesario. Agregue la mantequilla derretida mientras la licuadora está en marcha y licue durante 10 segundos adicionales. Permita que la mezcla repose durante 10 a 15 minutos.

Vierta la mezcla en los moldes y póngalos en el horno precalentado. Cueza los “popovers” durante 40 minutos, hasta que estén dorados. Perfóre cada uno varias veces con la punta de un cuchillo y siga cociendo durante 5 minutos. Saque los moldes del horno, alíjole los panchos de los moldes con un cuchillo y sírvalos calientes.

Valor nutricional por porción:

Calorías 126 (37% de grasa) • Carbohidratos 14g • Proteínas 6g • Grasa 5g • Grasa saturada 3g • Colesterol 79mg • Sodio 91mg • Calcio 93mg • Fibra 0g

“Popovers” con pesto: Revuelva ½ taza de pesto (véase la receta en la página 16) con la masa antes de cocer.

## TORTA DE ESPINACAS CON QUESO

*Deliciosa entrada, parecida a quiche, servida con salsa de tomate campestre.*

8 porciones

- 1 cucharadita de aceite de oliva puro
- ½ onza de queso Asiago, cortado en cubitos de ½ pulgada

- ½ rebanada de pan, cortada en pedacitos de ½ pulgada
- ½ cucharadita de albahaca seca
- 4 huevos grandes
- 2 tazas (2½ onzas) de espinacas, lavadas y secadas
- 3 tazas de queso ricotta bajo en grasa
- ½ cucharadita de sal kosher
- ½ cucharadita de pimienta blanca o negra recién molida

Precaliente el horno en 350°F. Prepare un molde redondo y hondo de 10 pulgadas de diámetro con aceite de oliva.

Ponga el queso Asiago en la jarra de la licuadora y cierre la tapa. Pulse 10 a 12 veces a velocidad baja. Saque el queso de la jarra. Ponga el pan en la jarra y pulse 5 a 10 veces para picarlo. Agregue la albahaca y siga licuando durante 5 segundos. Saque las migajas de pan de la jarra.

Ponga los huevos, las espinacas, el queso ricota, el queso Asiago des-

menzado, la sal y la pimienta en la jarra. Pulse 10 veces a velocidad baja, luego licue durante 15 segundos. Raspe los lados de la jarra con una espátula. Licue durante 15 a 20 segundos adicionales.

Vierta la mezcla en el molde y esparza migajas de pan encima de la mezcla en forma pareja. Cueza en el horno precalentado durante 45 a 50 minutos. Retire del horno y permita que enfrie durante 5 a 10 minutos. Sirvala caliente con salsa de tomates campestre (receta a continuación).

Valor nutricional por porción:

Calorías 182 (54% de grasa) • Carbohidratos 6g • Proteínas 14g • Grasa 11g • Grasa saturada 6g • Colesterol 136mg • Sodio 254mg • Calcio 291mg • Fibra 0g

## SALSAS Y ALINOS

### SALSA DE TOMATES CAMPESTRE

*Saludable y deliciosa.*  
8 tazas

- 1 cucharada de aceite de oliva puro
- 1 cebolla grande, cortada en pedacitos de ½ pulgada
- 2 zanahorias, cortadas en pedacitos de ½ pulgadas
- 2 apios, cortados en trocitos de ½ pulgada
- 4 dientes de ajo
- 1 cucharadita de orégano seco
- 1 cucharadita de albahaca seca

## CREMA DE TOMATES CON PIMIENTO ROJO

*Deliciosa y original sopa, perfecta para cualquier ocasión*

8 porciones de 6 onzas

1	1	cucharada de mantequilla sin sal
1	1	cucharadita de aceite de oliva pura
1	1	cebolla pequeña, cortada en pedacitos de ½ pulgada
1	1	apio, cortado en trocitos de ½ pulgada
1	1	zanahoria, cortada en trocitos de ½ pulgada
2	2	cucharadas de arroz blanco
1	1	cucharadita de albahaca
2	2	tazas de caldo de pollo o de vegetales sin grasa y bajo en sodio
2	2	latas (15½ onzas cada una) de tomates cocidos cortados en pedacitos
2	2	pimientos rojos tostados
½	½	cucharadita de sal kosher
⅓	⅓	cucharadita de pimienta blanca
½	½	taza de crema half-and-half

Derrita la mantequilla con el aceite a fuego lento en una olla media. Agregue la cebolla, el apio y la zanahoria. Cubra la olla y cueza los vegetales durante 8 a 10 minutos, hasta que estén suaves. Agregue el arroz y la albahaca y siga cocinando durante 2 minutos, hasta que el arroz vuelva opaco. Agregue el caldo, los tomates y los pimientos. Baje el fuego y siga cocinando durante 20 a 25 minutos. Apague el fuego y deje reposar durante 5 minutos.

Cuele la sopa y reserve los vegetales y el líquido. Ponga los vegetales y 1 taza del caldo en la jarra de la licuadora. Cierre la tapa. Pulse 10 veces a velocidad alta, luego licue durante 30 a 40 segundos hasta alcanzar una consistencia cremosa. Agregue la sal y la pimienta y siga licuando durante 5 segundos adicionales. Apague la licuadora. Combine el caldo remanente y los vegetales licuados en la olla. Recaliente la sopa a fuego medio. No permita que hierva. Agregue la crema half-and-half y sívala inmediatamente. Si desea preparar la sopa adelante, agregue la crema en el momento de recalentarla.

*Valor nutricional por porción:*

*Calorías 87 (28% de grasa) • Carbohidratos 13g • Proteínas 3g • Grasa 3g • Grasa saturada 1g • Colesterol 7mg • Sodio 367mg • Calcio 47mg • Fibra 3g*

## CREMA DE PAPAS Y PUERRO

*Sopa versátil que puede servirse fría o caliente*

8 porciones de 6 onzas

2	2	puerros medios (parte blanca y verde suave únicamente), partidos longitudinalmente en la mitad y cortados en trocitos de ½ pulgada
1	1	cucharada de mantequilla sin sal
1	1	cebolla pequeña, cortada en pedacitos de ½ pulgada
¼	¼	cucharadita de tomillo
2	2	papas rojizas medias, cortadas en pedacitos de 1 pulgada
1½	1½	taza de caldo de pollo sin grasa y bajo en sodio
¾	¾	taza de agua filtrada o mineral
1	1	cucharadita de sal kosher
½	½	cucharadita de pimienta blanca
¾	¾	taza de crema half-and-half

Ponga los pedacitos de puerros en un recipiente con agua. Deje reposar durante 5 minutos, luego retire el puerro sin mover los residuos acumulados en el fondo del recipiente. Bote el agua.

Derrita la mantequilla a fuego medio en una olla media. Agregue el puerro, la cebolla y el tomillo y cuezalos durante 3 a 5 minutos, hasta que estén suaves. Agregue las papas, el caldo y el agua. Cubra la olla y cueza a fuego medio-alto hasta que hierva. Baje el fuego y siga cocinando durante 10 a 15 minutos, hasta que las papas estén suaves.

Cuele la sopa y reserve los vegetales y el líquido. Permita que entren durante 5 minutos. Ponga los vegetales y 1 taza del caldo en la jarra de la licuadora. Cierre la tapa. Licue a velocidad alta durante 20 a 30 segundos. Raspe la licuadora y licue durante 10 a 15 segundos adicionales. Apague la licuadora. Combine el caldo remanente y los vegetales licuados en la olla. Recaliente la sopa a fuego medio-lento. Agregue la crema half-and-half, la sal y la pimienta.

*Valor nutricional por porción:*

*Calorías 132 (37% de grasa) • Carbohidratos 18g • Proteínas 3g • Grasa 6g • Grasa saturada 3g • Colesterol 169mg • Sodio 369mg • Calcio 56mg • Fibra 3g*

**Variación:** Cueza 1½ taza de berro picado con los vegetales. Siga la misma receta, luego agregue ½ taza de berro picado a la sopa al mismo tiempo que la crema half-and-half. Sirva la sopa caliente o fría.

- mitad y en pedacitos de 1 pulgada
- 1/2 pimiento verde, sin semillas y cortado en pedacitos de 1 pulgada
- 1/2 pimiento rojo, sin semillas y cortado en pedacitos de 1 pulgada
- 1 jalapeño, sin semillas y cortado en pedacitos de 1/2 pulgada
- 6 cebolletas, cortadas en trocitos de 1/2 pulgada
- 4 tomates medios, sin semillas y cortados en pedacitos de 1 pulgada
- 3 cucharadas de vinagre de jerez o de jugo de limón
- 1/2 cucharadita de sal kosher
- 1/4 cucharadita de pimienta blanca recién molida

Ponga el ajo en la jarra de la licuadora y cierre la tapa. Pulse 10 veces a velocidad baja. Agregue 1 taza del jugo de tomates/vegetales, el apio, el pepino, el pimiento verde, el pimiento rojo, el jalapeño y las cebolletas. Licue a velocidad baja durante 5 a 10 segundos. Vierta el líquido en un recipiente.

Ponga el resto del jugo de tomates/vegetales y los tomates frescos en la jarra y cierre la tapa. Pulse 10 veces a velocidad baja, o licue para obtener una consistencia más cremosa. Combine las dos mezclas en el recipiente. Sazone con vinagre de jerez o jugo de limón, sal y pimienta. Refrigérela bien antes de servirlo.

*Valor nutricional por porción:*  
 Calorías 51 (5% de grasa) • Carbohidratos 1g • Proteínas 2g 8 Grasa 0g • Grasa saturada 0g • Colesterol 0mg • Sodio 429mg • Calcio 28mg • Fibra 2g

## CREMA HELADA DE MELÓN Y MANGO

*Perfecta combinación de melón, mango y jugo de naranja, para el almuerzo o el postre.*

- 8 porciones de 6 onzas
- 2-3 rodajas medias de jengibre fresco
- 1 mango maduro, cortado en pedacitos de 1 pulgada
- 1 melón grande cortado en pedacitos de 1 pulgada
- 1/2-1 taza de jugo de naranja

Ponga las frutas y 1/2 taza del jugo de naranja en la jarra de la licuadora, en el orden indicado. Cierre la tapa. Licue durante 20 a 30 segundos a velocidad alta. Agregue más jugo de naranja hasta obtener la consistencia deseada. Apague la licuadora. Refrigérela bien antes de servirlo. Si lo desea, aderezla la crema con frambuesas, arándanos o hojas de menta.

## CREMA DE ESPÁRRAGOS

*Deliciosa sopa con sabrosos espárragos*

- 8 porciones de 6 onzas
- 3/4 taza de perejil italiano, lavado y secado
- 3 cucharadas de mantequilla sin sal
- 3/4 taza de cebolla o puero picado
- 1 libra de espárragos frescos, cortados en rozos de 1 pulgada
- 3 tazas de caldo de pollo o de vegetales sin grasa y bajo en sodio
- 1 taza de crema half-and-half
- 1 cucharada de almidón de maíz
- 1 1/2 taza de agua fría (filtrada o mineral)
- 1 cucharadita de sal kosher
- 1/2 cucharadita de pimienta blanca

Ponga las hojas de perejil en la jarra de la licuadora y cierre la tapa. Pulse 4 o 5 veces a velocidad baja. Retire el perejil picado de la jarra.

Derrita la mantequilla en una olla media. Agregue la cebolla y cuézala durante 2 a 3 minutos, hasta que esté suave, pero no dorada. Agregue los espárragos, el caldo y la mayoría del perejil picado (guarde 1 cucharada de perejil). Cubra la olla y cuéza a fuego medio-alto hasta que hierva. Baje el fuego y siga cocinando durante 10 a 12 minutos, hasta que los espárragos estén suaves.

Cuele la sopa y reserve los vegetales y el líquido. Permita que enfríen durante 5 minutos. Ponga los vegetales y 1 taza del caldo en la jarra de la licuadora. Cierre la tapa. Licue a velocidad baja durante 25 a 30 segundos, hasta obtener una consistencia cremosa. Apague la licuadora. Combine el caldo remanente y los vegetales licuados en la olla. Agregue la crema half-and-half. Revuelva el agua fría y el almidón de maíz y agregue la mezcla a la sopa. Sazone con sal y pimienta. Cuéza la crema a fuego medio durante 6 a 8 minutos, hasta que espese. No permita que hierva. Sirvala en platos calentados, con aderezo de perejil.

*Valor nutricional por porción:*  
 Calorías 98 (59% de grasa) • Carbohidratos 7g • Proteínas 4g • Grasa 7g • Grasa saturada 4g • Colesterol 19mg • Sodio 510mg • Calcio 56mg • Fibra 2g

*Valor nutricional por porción:*  
 Calorías 68 (2% de grasa) • Carbohidratos 17g • Proteínas 1g • Grasa 0g • Grasa saturada 0g • Colesterol 0mg • Sodio 14mg • Calcio 17mg • Fibra 1g



## ANTOJITOS, SALSAS, PASTAS PARA UNTAR

Asegúrese que la jarra y las cuchillas estén limpias y totalmente secas antes de picar hierbas frescas. Las hierbas también deben estar secas.

## HUMMUS PICANTE

*Paté de garbanzos originario del Oriente Medio. Delicioso con pita o en sándwiches.*

2½ tazas

2-3 dientes de ajo

2-3 chiles rojos secos, de 2 pulgadas

4 tiras de corteza de limón (medio limón) de 2 x ½ pulgada

2 cucharaditas de comino molido

1 cucharadita de sal kosher

1 cucharadita de tomillo

4 cucharadas de jugo de limón fresco

2 cucharadas de agua mineral o filtrada

2 pimientos rojos tostados (frescos o en lata), cortados en 8 pedazos

1 lata (19 onzas) de garbanzos, colados, enjuagados y colados otra vez

2 cucharadas de pasta tahina (pasta de semilla de sésamo)

¼ cucharadita de salsa picante como Tabasco®

1½ cucharadita de aceite de oliva puro

Ponga el ajo, el chile y la corteza de limón en la jarra de la licuadora.

Cierre la tapa. Pulse 10 veces a velocidad baja. Raspe los lados de la jarra con una espátula y agregue el comino, la sal y el tomillo. Licue durante 10

segundos. Raspe los lados de la jarra y agregue el jugo de limón, el agua, los pimientos tostados, los garbanzos, la pasta tahina y la salsa picante, en el orden indicado. Licue durante 40 segundos. Raspe los lados de la

jarra y agregue el aceite de oliva lentamente por la abertura en la tapa.

Cierre el tapón y siga licuando durante 20 segundos adicionales. Vierta el hummus en un recipiente y permita que repose durante media hora antes

de servirlo. Puede conservar el hummus en un recipiente cubierto en el refrigerador durante una semana.

*Valor nutricional por porción:*

Calorías 23 (44% de grasa) • Carbohidratos 2g • Proteínas 1g • Grasa 1g • Grasa saturada 0g • Colesterol 0mg • Sodio 2mg • Calcio 2mg • Fibra 0g

8 porciones de 6 onzas

1-2 dientes de ajo

3 tazas de jugo de tomates o jugo de vegetales para cocciones

1 apio grande, cortado en trocitos de 1 pulgada

1 pepino grande, pelado, sin semillas, cortado longitudinalmente en la

1 ¾ tazas

3 tomates secados al sol (secos, no en aceite)

2 dientes de ajo

½ taza de agua hervida

3 cebolletas, cortadas en trocitos de 1 pulgada

1 paquete de queso crema (cream cheese), cortado en pedazos de 1 pul-

gada

½ taza de requesón (cottage cheese) sin grasa

2 cucharaditas de hierbas de Provenza

Ponga los tomates y el ajo en un recipiente pequeño y agregue el agua

hervida. Permita que repose durante 5 minutos luego cuele y reserve el

licuado. Ponga los tomates y el ajo en la jarra de la licuadora y cierre la

tapa. Pulse 10 veces a velocidad baja. Agregue el resto de los ingredientes, en el orden

indicado, y licue a velocidad alta durante 10 a 15 segundos. Raspe los

lados de la jarra con una espátula de plástico. Si la pasta parece demasiado

espesa, agregue una cucharadita o dos del agua reservado y siga licuan-

do durante 15 a 20 segundos, hasta que la pasta esté cremosa. Vierta la

pasta en un recipiente y permita que repose durante media hora antes de

servirla. Puede conservar la pasta en un recipiente hermético en el refriger-

ador. Sáquela del refrigerador 15 a 20 minutos antes de servirlo.

*Valor nutricional por porción:*

Calorías 48 (58% de grasa) • Carbohidratos 2g • Proteínas 3g • Grasa 3g • Grasa saturada 2g • Colesterol 6mg • Sodio 135mg • Calcio 39mg • Fibra 0g

## GAZPACHO

*Uno de nuestros platos favoritos, preparado con tomates maduros. Perfecto para una noche de verano caliente.*

*Deliciosa salsa con triple uso: salsa para mojar galletas saladas o verduras, pasta para untar en sándwiches o aderezo para papas papas horneadas*

## HIERBAS

## PASTA DE TOMATES SECADOS AL SOL, AJO, QUESO Y

- ¼ taza de salsa de chocolate  
2 cucharadas de jarabe de vainilla, avellana, almendra, frambuesa u otro perfume  
15 cubitos de hielo

Ponga los ingredientes en la jarra de la licuadora, en el orden indicado. Cierre la tapa. Licue durante 30 a 40 segundos a velocidad alta. Apague la licuadora. Sirvalo inmediatamente en vasos altos. Aderece con nata montada si lo desea. Para que sea más cremoso: agregue 2 cucharadas de crema half-and-half antes de licuar. \* Puede prepararse con café instantáneo.

Valor nutricional por porción:

Calorías 138 (0% de grasa) • Carbohidratos 33g • Proteínas 1g • Grasa 0g • Grasa saturada 0g • Colesterol 0mg • Sodio 37mg • Calcio 6mg • Fibra 0g

## MARGARITA HELADA DE MANGO

Prepáre refrescantes margaritas u otras bebidas heladas muy fácilmente con su licuadora Cuisinart®

Seis porciones de 8 onzas

- 2 tazas de cubitos de mango (fresco o parcialmente descongelado)  
½ taza de tequilla  
½ taza de Triple Seco o Cointreau®  
¼ taza de jugo de lima fresca  
4 cucharadas de azúcar granulado fino  
2 tazas de cubitos de hielo

Ponga los ingredientes en la jarra de la licuadora, en el orden indicado. Cierre la tapa. Licue durante 30 a 40 segundos a velocidad alta. Apague la licuadora. Sirva las margaritas inmediatamente. Para preparar margarita sin alcohol, sustituya el alcohol por 8 onzas de jugo de fruta, como jugo de chabacano o de arándano agrio.

Valor nutricional por porción:

Calorías 158 (1% de grasa) • Carbohidratos 23g • Proteínas 0g • Grasa 0g • Grasa saturada 0g • Colesterol 0mg • Sodio 5mg • Calcio 9mg • Fibra 1g

## COSMOPOLITANO HELADO

!Si es posible mejorar un clásico!

Ocho porciones de 6 onzas

- 2 tazas de jugo de arándano agrio  
10 onzas de vodka refrigerada (con gusto a cítrico o no)  
2 onzas de jugo de lima fresco  
2 onzas de Triple Seco o Cointreau®  
15 rodajas finas de lima (aderezo)  
15 cubitos de hielo

Ponga el jugo de arándano agrio en una bandeja para hacer cubitos de hielo y congélelo completamente. Ponga los ingredientes en la jarra de la licuadora, en el orden indicado. Cierre la tapa. Licue durante 25 a 30 segundos a velocidad alta. Apague la licuadora. Sirvalo inmediatamente en vasos para Martini, aderezándolo con rodajas finas de lima.

Valor nutricional por porción:

Calorías 142 (1% de grasa) • Carbohidratos 12g • Proteínas 0g • Grasa 0g • Grasa saturada 0g • Colesterol 0mg • Sodio 2mg • Calcio 3mg • Fibra 0g

## DAQUIRI HELADO

Cóctel clásico

- Cuatro porciones de 6 onzas  
6 onzas de jugo de lima congelado  
5 onzas de ron ligero  
3 tazas de cubitos de hielo

Ponga los ingredientes en la jarra de la licuadora, en el orden indicado. Cierre la tapa. Licue durante 30 a 40 segundos a velocidad alta. Apague la licuadora. Sirvalo inmediatamente.

Para preparar Daiquiris con frutas, agregue 2 a 3 tazas de frutas frescas (fresas, duraznos, melón, etc.), cortadas en pedacitos de 1 pulgada. Si desea realizar aún más el sabor de las frutas, utilice jugo de fruta congelado en vez de cubitos de hielo.

Valor nutricional por porción:

Calorías 92 (0% de grasa) • Carbohidratos 14g • Proteínas 0g • Grasa 0g • Grasa saturada 0g • Colesterol 0mg • Sodio 2mg • Calcio 2mg • Fibra 0g

## SMOOTHIE DE FRUTAS CON YOGUR

*Deliciosa bebida para el desayuno*

Seis porciones de 8 onzas

- 2 tazas de pedacitos de piña
- 1 banano medío, cortado en rodajas de 1 pulgada
- 1 taza de jugo de naranja fresco
- 1 taza de yogur de vainilla sin grasa
- 2 tazas de fresas congeladas (no las descongele)

Ponga los ingredientes en la jarra de la licuadora, en el orden indicado. Cierre la tapa. Licue durante 20 segundos a velocidad alta. Apague la licuadora. Sirvalo inmediatamente o refrigérello.

Variación: Puede substituir las frutas por otras frutas y el jugo de naranja fresco por jugo de naranja enriquecido con calcio.

*Valor nutricional por porción:*

Calorías 105 (4% de grasa) • Carbohidratos 25g • Proteínas 3g • Grasa 0g • Grasa saturada 0g • Colesterol 1mg • Sodio 23mg • Calcio 76mg • Fibra 2g

## SMOOTHIE DE FRUTAS CON TOFU

*Excelente fuente de proteínas*

Seis porciones de 8 onzas

- 1 taza de mango, cortado en pedazos de 1 pulgada
- 1 banano medío, cortado en trozos de 1 pulgada
- 1 taza de jugo de naranja, manzana u otra fruta
- 1 taza de leche de soya
- 1 cucharadita de extracto de vainilla
- 1 taza de tofu, cortado en pedazos de 1 pulgada
- 2 tazas de fresas congeladas (no las descongele)

Ponga los ingredientes en la jarra de la licuadora, en el orden indicado. Cierre la tapa. Licue durante 20 segundos a velocidad alta. Apague la licuadora. Sirvalo inmediatamente o refrigérello.

*Valor nutricional por porción:*

Calorías 135 (18% de grasa) • Carbohidratos 25g • Proteínas 5g • Grasa 2g • Grasa saturada 0g • Colesterol 0mg • Sodio 10mg • Calcio 63mg • Fibra 4g

## BATIDO DE CARAMELO

*Excelente fuente de calcio, para darse un gusto sin cargo de conciencia*

Cuatro porciones de 8 onzas

- 2 tazas de leche baja en grasa
- 2 tazas de helado o de yogur congelado de vainilla, bajo en grasa
- 3 cucharadas de jarabe de caramelo
- 2 cucharaditas de extracto de vainilla

Ponga los ingredientes en la jarra de la licuadora, en el orden indicado. Cierre la tapa. Licue durante 40 a 50 segundos a velocidad alta. Apague la licuadora. Sirvalo inmediatamente en vasos altos con sorbetes.

*Valor nutricional por porción:*

Calorías 223 (30% de grasa) • Carbohidratos 29g • Proteínas 9g • Grasa 8g • Grasa saturada 5g • Colesterol 39mg • Sodio 131mg • Calcio 315mg • Fibra 0g

## BATIDO DE BANANO CON CHOCOLATE

*Delicioso batido cremoso*

Cuatro porciones de 8 onzas

- 2 tazas de leche baja en grasa
- 2 bananos, cortados en pedazos de 1 pulgada
- 2 tazas de yogur congelado de chocolate, bajo en grasa
- 2 cucharadas de jarabe de chocolate

Ponga los ingredientes en la jarra de la licuadora, en el orden indicado. Cierre la tapa. Licue durante 40 a 50 segundos a velocidad alta. Apague la

licuadora. Sirvalo inmediatamente en vasos altos con sorbetes.

*Valor nutricional por porción:*

Calorías 257 (18% de grasa) • Carbohidratos 46g • Proteínas 8g • Grasa 5g • Grasa saturada 3g • Colesterol 19mg • Sodio 95mg • Calcio 216mg • Fibra 2g

## MOCHA HELADO

*¿Por qué pagar cuando puede prepararse este delicioso mocha helado con su batidora Cuisinart®?*

Dos porciones de 8 onzas

8 onzas de café expreso o de café muy cargado\*

## RECETAS

### BATIDOS, SMOOTHIES, BEBIDAS HELADAS

#### SMOOTHIE DE FRUTAS FRESCAS

*Capas de frutas frescas se licuan en segundos para preparar una deliciosa y refrescante bebida*

arios. Esto evitará que el vapor se encierre adentro de la jarra, lo cual podría levantar la tapa durante el procesado. Guarde su licuadora sobre la encimera de su cocina, donde la pueda alcanzar fácilmente. La utilizará mucho más de lo que pensaba. En vez de cubitos de hielo, ponga cubitos congelados de jugo, yogur, leche o puré de frutas en las bebidas heladas. Esto evitará que el hielo diluya las bebidas.

Seis porciones de 8 onzas	1/2	taza de jugo de naranja
	1	taza de melón, cortado en pedazos de 1 pulgada
	1	taza de frambuesas (frescas o congeladas)
	1	taza de piña cortada en pedacitos de 1 pulgada (fresca o en lata/colada)
	1	taza de naranjas, cortadas en pedacitos de 1 pulgada
	1	taza de fresas, cortadas en la mitad
	1	taza de mango, cortado en pedazos de 1 pulgada
	1	banano medio, cortado en rodajas de 1/2 pulgadas
	1	taza de cubitos de hielo (aproximadamente 6 cubitos)

Ponga los ingredientes en la jarra de la licuadora, en el orden indicado. Cierre la tapa. Licue durante 20 segundos a 30 segundos a velocidad alta. Apague la licuadora. Nota: cuanto más maduros son los ingredientes maduros, cuanto más rico es el smoothie.

*Valor nutricional por porción:*

*Calorías 101 (4% de grasa) • Carbohidratos 25g • Proteínas 2g • Grasa 0g • Grasa saturada 0g • Colesterol 0mg • Sodio 10mg • Calcio 35mg • Fibra 4g*

**Moler pan o galletas:** Corte el pan o las galletas en pedacitos de 1/2 pulgada o menos antes de procesarlo. Se le hará más fácil usar pan del día anterior. Ponga los pedazos de pan o de galleta en la jarra y cierre la tapa. Pulse a velocidad baja o alta, luego licue hasta obtener la consistencia deseada. Para lograr resultados óptimos, no procese más de 1 taza a la vez.

**Picar hielo:** Ponga 10 cubitos de hielo en la jarra y cierre la tapa. Oprima el botón para picar hielo "Ice Crush" 10 veces o hasta alcanzar la consistencia deseada.

**Rallar corteza de cítrico:** Asegúrese que la jarra y las cuchillas estén totalmente secas. Saque la corteza de la fruta con un pelador de vegetales. Remueva la parte amarga y blanca con un cuchillo. Corte las tiras de corteza en la mitad. Ponga 8 tiras (sea, la corteza de medio limón) y aproximadamente 1 cucharadita de azúcar granulado o de sal gruesa en la jarra. Cierre la jarra y procese a velocidad baja durante 15 a 20 segundos.

**Preparar comida para bebé:** Ponga 1/2 taza de vegetales, frutas o carne cocida en la jarra, junto con 3 a 4 cucharadas de líquido (agua, leche, jugo de fruta o caldo). Cierre la tapa y procese a velocidad baja o alta hasta alcanzar la consistencia deseada, agregando más líquido si fuera necesario. Para preparar puré más grueso para niños más grandes, pulse a velocidad alta. Siempre pregunte a su médico cual comida conviene a su bebé.

**Rallar queso duro:** Remueva la corteza dura del queso y corte el queso en pedazos de 1/2 pulgada. Ponga los pedazos en la jarra y cierre la tapa. Pulse a velocidad baja 10 a 12 veces, hasta obtener la consistencia deseada.

**Moler especias:** Asegúrese que la jarra y las cuchillas estén totalmente secas. Ponga 1/4 a 1/2 taza de especias/semillas/granos de pimienta en la jarra y cierre la tapa. Pulse a velocidad baja o alta durante 20 a 40 segundos.

**Montar nata:** Para lograr resultados óptimos, refrigere la jarra por 15 minutos antes de usarla. Ponga 1 taza de doble crema o nata para montar en la jarra y cierre la tapa. Pulse rápidamente a velocidad baja 20 a 30 veces, hasta que la crema se vuelva espesa. No licue mucho la crema. Si lo desea, agregue 1 cucharada de azúcar granulado y 1-2 cucharaditas de extracto de vainilla u otro perfume. La crema será ligera, no muy espesa, y perfecta para servir con tortas, helados, café o chocolate.

**Preparar cremas de vegetales:** Separe el caldo y los alimentos cocidos. Ponga los alimentos cocidos en la jarra, junto con 1/2 a 1 taza del caldo. Pulse, luego licue hasta obtener la consistencia deseada. Permita que los alimentos calientes enfríen un poco antes de licu-

- ciona, raspe los lados de la jarra con una espátula de plástico o de caucho y reposicione los alimentos sobre las cuchillas.
- Pulse con pulsos cortos. Permite que las cuchillas se inmovilicen entre dos pulsos.

#### **NUNCA HAGA ESTO:**

- No guarde alimentos o líquido en la licuadora.
- No ponga las cuchillas y el anillo de retención en la base sin la jarra puesta.
- No intente montar claras de huevo o procesar comidas muy espesas como puré de papas o masa en la licuadora.
- No remueva la jarra de la base y no remueva la tapa de la jarra mientras el aparato está funcionando.
- No gire el anillo de retención para sacar la jarra de la base. Simplemente aice la jarra.
- No procese mucho los alimentos. La licuadora produce los resultados deseados en segundos.
- No sobrelleene la licuadora. Si nota que el motor está haciendo fuerza, apague la licuadora y saque una parte de los alimentos de la jarra.
- No ponga ningún utensilio adentro de la jarra mientras el aparato está funcionando.
- Nunca use partes o accesorios no aprobados por Cuisinart para uso con este aparato. Esto podría provocar una herida.
- No introduzca las manos en la jarra mientras el aparato está enchufado.
- No agregue líquido muy caliente o alimentos congelados (excepto hielo o pedacitos de fruta congelada) en la jarra. Permite que el líquido muy caliente enfrie durante por lo menos 5 minutos antes de verterlo en la jarra.

## **CONSEJOS DE PREPARACIÓN**

Las recetas que vienen a continuación incluyen algunas de nuestras recetas favoritas, y nuevas recetas que les encantarán a su familia y a sus amigos. Gracias al potente motor de su Licuadora de 600 Vatios SmartPower Premier™, capaz de picar hielo, también podrá preparar deliciosas bebidas heladas. **Picar nueces:** Ponga ½ taza de nueces sin cáscara en la jarra y cierre la tapa. Pulse a velocidad baja hasta obtener la consistencia deseada. Pulse menos veces para conseguir pedazos más gruesos. Para lograr resultados óptimos, no procese más de ½ taza a la vez.

Intente desarmar el juego de cuchillas.  
Lave las cuchillas y el sello de caucho en agua jabonosa. Enjuáguelos y permita que sequen completamente.  
Lave la jarra, la tapa y el tapón en agua jabonosa. Enjuáguelos y permita que sequen completamente. Enjuáguelos y permita que sequen completamente. Enjuáguelos y seque bien.  
Limpie el bloque-motor con un paño humedecido y séquelo bien. Nunca ponga la base en agua u otro líquido, o en el lavavajillas. Consejo: Para limpiar las cuchillas de manera más efectiva, ponga un poco de detergente en la jarra y llénela hasta la mitad con agua tibia. Ponga la licuadora en marcha durante 15 segundos y vacíe el agua jabonosa. Repita con agua limpia, luego desarme las piezas para lavarlas como se describe más arriba.

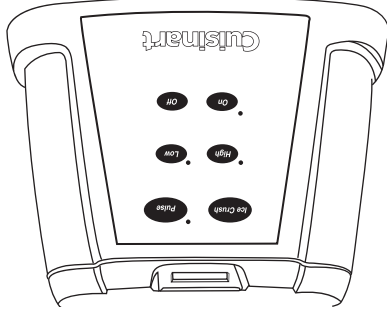
## **REGLAS BÁSICAS**

### **SIEMPRE HAGA ESTO:**

- Asegúrese que el voltaje del tomacorriente corresponda al voltaje indicado debajo de la base del aparato.
- Siempre coloque la licuadora sobre una superficie seca, limpia y estable.
- Siempre ponga los ingredientes líquidos en la jarra primero, luego los ingredientes sólidos. Esto producirá resultados más parejos.
- Corte los alimentos grandes en cubitos de ½ a 1 pulgada (1,5 a 2,5 cm). Corte el queso en pedacitos de ½ pulgada (1,5 cm) máximo.
- Utilice el tapón para medir ingredientes líquidos como alcohol. No se olvide de regresar el tapón sobre la tapa antes de licuar.
- Apague el aparato antes de raspar la jarra o desalojar alimentos trabados. Use una espátula de plástico o de caucho únicamente. Nunca use utensilios de metal, los cuales podrían dañar la jarra o las cuchillas.
- Cierre la tapa seguramente antes de poner la licuadora en marcha. Asegúrese que el anillo de retención esté seguramente puesto antes de usar la licuadora.
- Remueva el anillo de retención, las cuchillas y el sello de caucho antes de limpiar la jarra.
- Asegúrese que la jarra y las cuchillas estén totalmente secas antes de picar hierbas, ajo, corteza de limón, migajas de pan, nueces, especias, etc.
- Pulse para desalojar los alimentos pegados a la jarra. Si no funcionan, espécias, etc.

el botón de velocidad. Por ejemplo, se está licuando a velocidad baja, oprima el botón "Low".

**4. LICUADO:** Oprima el botón de encendido "On". El indicador luminoso al lado del botón de encendido se iluminará.



**5. VELOCIDAD:** Escoja la velocidad deseada, baja "Low" o alta "High" según su necesidad. El indicador luminoso al lado del botón de velocidad escogido se iluminará y la licuadora se pondrá en marcha. Si desea cambiar la velocidad, simplemente oprima otro botón de velocidad. No oprima el botón de apagado.

**Nota:** El temporizador integrado empezará a contar automáticamente al oprimir el botón de velocidad y seguirá contando aunque cambie la velocidad durante el licuado.

**6. DETENER O APAGAR LA LICUADORA:**

a. Para detener la licuadora: Vuelva a oprimir el botón de velocidad. Por ejemplo, si está licuando a velocidad alta, vuelva a oprimir el botón "High". La licuadora se detendrá pero seguirá encendida. Nota: Esto también detendrá el temporizador.

b. Para apagar la licuadora: Oprima el botón de apagado.

"Off". Nota: Esto reiniciará el temporizador.

**7. PULSAR:** El modo pulso le permitirá incrementar el poder y la velocidad del motor durante un corto lapso. Para pulsar: Oprima el botón de encendido "On". El indicador luminoso de encendido se encenderá. Ahora, oprima el botón de pulso "Pulse". El indicador luminoso de pulso se encenderá de manera intermitente. Oprima luego afloje el botón de velocidad ad deseada, las cuantas veces y cuanto tiempo lo desea. Esta función es muy conveniente para quebrar pedazos grandes

antes de licuarlos o controlar precisamente la consistencia de los alimentos al picarlos. También la puede usar para empezar a procesar alimentos o procesar alimentos que no requieran mucho tiempo para licuarse.

**Nota:** El temporizador se pondrá en marcha al oprimir o mantener oprimido el botón de pulso. Se detendrá al aflojarlo.

**8. PICAR HIELO:** El motor de su licuadora es suficientemente poderoso para picar hielo, usando cualquier velocidad. Sin embargo, para su conveniencia, su licuadora está dotada de un botón para picar hielo, el cual fue preprogramado para picar hielo a la velocidad óptima. Para picar hielo: Oprima el botón de encendido "On". El indicador luminoso de encendido se encenderá. Pulse el botón para picar hielo "Ice Crush"; las cuantas veces sean necesarias hasta obtener la consistencia deseada. Véase la sección "Consejos útiles" para más información.

**Nota:** El temporizador se pondrá en marcha al oprimir o mantener oprimido el botón para picar hielo. Se detendrá al aflojarlo.

**9. DESALOJAR ALIMENTOS TRABADOS:** Para desalojar alimentos trabados en las cuchillas, **PRIMERO APAGUE EL APARATO**, luego desaloje los alimentos con una espátula de plástico. Regrese la tapa y el tapón sobre la jarra antes de encender el aparato.

**10. DESPUÉS DE TERMINAR:** Oprima el botón de apagado "Off" y desconecte el aparato del tomacorriente. Espere que el motor esté totalmente apagado antes de sacar la jarra de la base. No desensosque el anillo de retención al remover la jarra. Simplemente aice la jarra. No ponga los dedos adentro de la jarra mientras esta conectada.

## LIMPIEZA Y MANTENIMIENTO

Siempre apague y desconecte el aparato del tomacorriente antes de limpiarlo. Las partes de la licuadora son anti-corrosivas y fáciles de limpiar. Limpie todas las partes antes de usar la licuadora por primera vez y después de cada uso. Examine cada parte antes de volver a ensamblar el aparato. Si nota algún signo de deterioro o si la jarra está desconchada o rajada, **NO USE LA LICUADORA**. Saque la jarra de la base y gire el anillo de retención en el sentido antihorario para removerlo. Retire la tapa de la jarra y el tapón de la tapa.

Saque las cuchillas y el sello de caucho. **PRECAUCIÓN:** Manipule las cuchillas con sumo cuidado, puesto que son muy tajantes. No



## GUÍA DE REFERENCIA RÁPIDA

Encender el aparato	Optima el botón de encendido "On"	Emp ezar a licuar
Cambiar la velocidad	Optima el botón de velocidad alta "High" o baja "low"	
Pulsar	Optima luego afloje el botón de pulso "Pulse". Optima el botón de velocidad alta "high" o baja "low".	
Picar hielo	Optima luego afloje el botón para picar hielo "Ice Crush". Optima el botón de apagado "Off".	
Apagar el aparato	Parar el aparato sin aparatarlo, al usar la	
	Velva a primir el botón de velocidad usado	
	Afloje el botón "Pulse" o "Crush Ice"	
	función pulso o al picar hielo	

## GUÍA DE SELECCIÓN DE LA VELOCIDAD

### Ingrediente/Receta Método/Velocidad Resultado

Preparar jugo con jugo congelado	"Low"	Suave
Mayonesa	"Low"	Espeso y cremoso
Añiño para ensaladas	"Low" or "High"	Perfectamente emulsionado
Nueces (½ taza o menos a la vez)	"Low" - "Pulse"	Grueso a fino
Nata montada	"Low" - "Pulse"	Espeso y cremoso
Para o galletas (pedazos de ½ pulgado o 1 taza o menos a la vez) luego "Low"	"Low" - "Pulse"	Grueso a fino
Corteza de cítrico rallada (con 1 o 2 cucharaditas de azúcar)	"Low" - "Pulse" o "Low"	Fino y parejo
Batidos, smoothies, jugos naturales	"High"	Suave, cremoso y espeso
Comida para bebé, pures de vegetal o de frutas	"High"	Suave y cremoso
Cócteles helados	"High"	Espeso y medio derretido
Quesos duros	"Low" - "Pulse"	Queso a fino
Luego "Low"		
Especias	"Low" - "Pulse" o "High"	Grueso a fino
Hielo	"Ice Crush"	Grueso a fino

## CONSEJOS ÚTILES

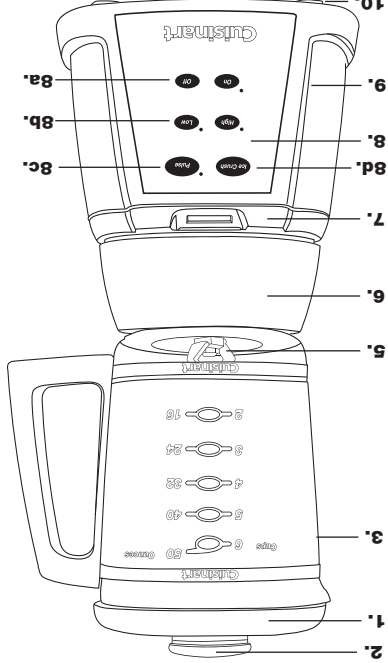
- Para agregar ingredientes mientras está licuando, no apague la licuadora. Simplemente remueva el tapón de la tapa y agregue los ingredientes.
- Siempre que la licuadora esté en funcionamiento, debe tener puesta la tapa.
- Advertencia: Espere que el motor se haya detenido totalmente antes de retirar la jarra de la base.
- No desensrosque el anillo de retención para sacar la jarra de la base. Coja la jarra por el asa y levántela.
- Nunca procese líquido muy caliente o alimentos congelados, menos hielo o pedazos de frutas de menos de ½ pulgada (1.5 cm).
- No ponga líquidos o alimentos muy fríos en la jarra después de sacarla del lavavajillas.
- No ponga líquidos o alimentos muy calientes en la jarra después de sacarla del refrigerador. Permita que los líquidos muy calientes entren durante 5 minutos antes de verterlos en la jarra.
- Limpie la jarra, las cuchillas, el anillo de retención y la tapa antes de usar la licuadora por primera vez (véase el capítulo "Limpieza y Mantenimiento").

## OPERACIÓN

1. Ponga el bloque-motor de la licuadora sobre una superficie seca, limpia, llana y segura. Ensamble el aparato según las instrucciones de ensamblado. Enchufe el aparato en un toma-corriente.
2. Ponga los ingredientes en la jarra y cierra la tapa. Si necesita agregar ingredientes mientras está licuado, vierta los ingredientes en la jarra mientras el aparato está conectado. Antes de abrir la jarra y cerrar el tapón. No introduzca las manos en la jarra mientras el aparato está conectado.
3. **Nota:** Agregue los ingredientes líquidos primero, luego los ingredientes sólidos. Esto producirá resultados más parejos y evitará que el motor haga mucho esfuerzo.  
**Nota:** Para remover la tapa, cójala por el borde y levántela. **TEMPORIZADOR:** La licuadora SmartPower Premier™ está dotada de un temporizador integrado que permite controlar precisamente la duración del licuado. El temporizador empieza a contar desde "0" al oprimir cualquier botón de velocidad (alta, baja, pulso o hielo) y seguirá contando automáticamente hasta llegar a 5 minutos, o hasta oprimir el botón de apagado. Para detener el temporizador (sin reiniciarlo), vuelva a oprimir



## CARACTERÍSTICAS

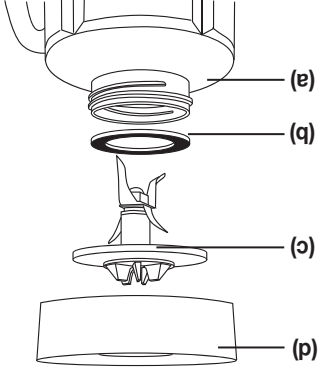


1. **Tapa**  
Con sello a prueba de fugas. Simplemente apriete para sellarla.
2. **Tapón/Receptáculo para medir**  
Permite medir y agregar ingredientes mientras está licuando.
3. **Jarra de cristal con capacidad para 1,5L**  
Con pico vertedor a prueba de goteo.
4. **Sello a prueba de fugas (no ensañado)**  
Mantiene la jarra firme en posición.
5. **Cuchillas patentadas de acero inoxidable**  
Ejecutan las tareas más difíciles como picar hielo, así como las tareas más delicadas.
6. **Anillo de retención**  
Coincide perfectamente con la jarra.
7. **Temporizador Count-Up™**  
Temporizador de 5 minutos para lograr resultados precisos.
8. **Controles**
  - a. Botones de Encendido (On) y Apagado (Off)
  - b. Botones de velocidad  
Escala la velocidad deseada, baja (Low) o alta (High), para procesar los alimentos hasta alcanzar la consistencia deseada. Indicadores luminosos indican la velocidad escogida.
  - c. Botón de pulso  
Permite pulsar a velocidad alta o baja, para mezclar los ingredientes de manera precisa.

**Importante:** las cuchillas son muy filosas. Manipúelas con cuidado.

## USO Y MANTENIMIENTO

1. **Espacio para guardar el cable (no ensañado)**  
Guarda el exceso de cable para lograr una apariencia más nítida.
2. **Bloque-motor resistente**  
Sólido y estable. No se moverá mientras el aparato está funcionando.
3. **Pies antideslizantes**  
Mantiene el aparato estable y no deja marcas en los mesones.
4. **Botón para picar hielo**  
Preprogramado a la velocidad perfecta para picar hielo sin esfuerzo.
5. **Bloque-motor resistente**  
Sólido y estable. No se moverá mientras el aparato está funcionando.
6. **Pies antideslizantes**  
Mantiene el aparato estable y no deja marcas en los mesones.
7. **Espacio para guardar el cable (no ensañado)**  
Guarda el exceso de cable para lograr una apariencia más nítida.



- (a) 1. Ponga la jarra al revés (a) sobre una superficie llana y segura. El sello debe ubicarse entre el juego de cuchillas y la jarra.
- (b) 2. Instale el sello de goma (b). El anillo debe ubicarse entre el juego de cuchillas y la jarra.
- (c) 3. Ponga el juego de cuchillas al revés (c) e insértelo en la abertura de la jarra. **Importante: las cuchillas son muy filosas.**
- (d) 4. Enrosque el anillo de retención (d) para sujetar el juego de cuchillas. Se debe apretar seguramente el anillo de retención antes de colocar los ingredientes en el vaso. Para apretar el anillo, mantenga el vaso al revés y gire el anillo en el sentido antihorario.

5. Instale la tapa sobre la jarra y el tapón sobre la tapa.
6. Ponga la jarra sobre la base, asegurándose que esté correctamente asentada. Las marcaciones deberían estar frente a usted.
7. Enchufe el cable en un tomacorriente. Su licuadora está lista.

Para ensamblar la licuadora, siga las instrucciones que se encuentran en el manual de instrucciones. Regrese los insertos de cartón en la caja y guarde el material de embalaje por si necesitara enviar el aparato algún día.

Antes de usarlo por primera vez: Limpie todas las partes, como se describe en la sección "Limpieza y Mantenimiento", a fin de remover el polvo y los residuos.

## ÍNDICE

Medidas de seguridad importantes .....	22
Instrucciones de desempacado .....	22
Introducción .....	23
Características .....	24
Ensamblado .....	25
Consejos útiles .....	25
Operación .....	25
Guía de referencia rápida .....	25
Limpieza y mantenimiento .....	26
Reglas básicas .....	27
Consejos de preparación .....	27
Recetas .....	28
Garantía .....	39

## INTRODUCCIÓN

La licuadora de 600 vatios SmartPower Premier™ de Cuisinart® ha sido diseñada para los cocineros serios, de adentro hacia fuera. Su cuerpo de metal fundido y su potente desempeño proyecten una poderosa imagen, perfecta para las cocinas modernas.

Esta licuadora es la más poderosa de todas las licuadoras SmartPower™. El resistente motor de 600 vatios ofrece opciones de licuado sin precedente y ejecuta las tareas más difíciles, como picar hielo, rápida y eficazmente. Sus precisas cuchillas pueden picar hasta un diente de ajo o moler hierbas y nueces. El temporizador Count-Up™ permite controlar la duración del licuado con precisión cuando las recetas lo requieren. Botones de Encendido, Apagado, Alto, Bajo, Pulso y Hielo con indicadores LED logran excelentes resultados fácilmente, cada vez que la use.

La jarra de cristal con capacidad para 1,5 L y con pico vertedor anti-goteo es claramente graduada con onzas y mL. Es perfecta para preparar sus bebidas tropicales o batidos favoritos, salsas,

## MEDIDAS DE SEGURIDAD IMPORTANTES

Siempre que use artefactos electrodomésticos, debe seguir precauciones básicas de seguridad, entre las cuales las siguientes:

1. **LEA TODAS LAS INSTRUCCIONES ANTES DE USARLO.**
2. Para protegerse contra riesgos de choque eléctricos, no coloque el aparato en el agua o cualquier otro líquido.
3. Se debe supervisar cuidadosamente el uso de este aparato cuando este utilizado por o cerca de niños.
4. Desconecte el aparato cuando no lo está usando, antes de sacar el contenido, antes de instalar o remover piezas y antes de limpiarlo. **Nunca ponga las manos en la jarra o toque las cuchillas mientras el aparato está conectado.**
5. Evite el contacto con las piezas en movimiento.
6. Nunca utilice el aparato si el cable o la clavija están dañados, si no funciona correctamente, si ha caído, si está dañado o si ha caído al agua. Mándelo al Centro de Servicio más cercano para que lo ajusten o lo reparen.
7. El uso de accesorios, incluyendo frascos para conservas, no recomendados o vendidos por el fabricante puede causar un riesgo de lesiones a las personas.
8. No use este aparato en la intemperie.
9. No permita que el cable cuelgue por el borde de la mesa o encimera, ni que toque superficies calientes.
10. **Mantenga las manos y utensilios fuera de la jarra cuando esté licuando para reducir el riesgo de lesiones personales severas y/o daños a la licuadora.** Se puede usar una espátula de goma pero debe usarse sólo cuando la licuadora no esté en funcionamiento.
11. Cuando el aparato está en marcha y que los indicadores lumínicos están encendidos, no toque o interfiera con el movimiento de las cuchillas y no remueva la tapa. Se puede prender el aparato al tocar un botón accidentalmente.
12. **LAS CUCHILLAS SON FILOSAS. MANÉJLAS CON SUMO CUIDADO.**
13. Para reducir el riesgo de lesiones, nunca coloque las cuchillas en la base sin que la jarra esté debidamente ajustada.
14. Siempre que la licuadora esté en funcionamiento, debe tener puesta la tapa.
15. No deje la licuadora desatendida mientras esté en funcionamiento.
16. Al licuar líquidos calientes, quite el tapón (pieza central de la tapa) a fin de permitir que el vapor se escape.

## 12. LAS CUCHILLAS SON FILOSAS. MANÉJLAS CON SUMO CUIDADO.

Para su protección, el cordón de su licuadora Cuisinart® está dotado una clavija tripo- lar de conexión con tierra, la cual debe ser enchufada en un tomacorriente conectado con tierra. Si la clavija no entra en el tomacorriente, llame a un electricista calificado. No intente modificar la clavija.

## 12. LAS CUCHILLAS SON FILOSAS. MANÉJLAS CON SUMO CUIDADO.

Para reducir el riesgo de lesiones, nunca coloque las cuchillas en la base sin que la jarra esté debidamente ajustada.

13. Para reducir el riesgo de lesiones, nunca coloque las cuchillas en la base sin que la jarra esté debidamente ajustada.
14. Siempre que la licuadora esté en funcionamiento, debe tener puesta la tapa.
15. No deje la licuadora desatendida mientras esté en funcionamiento.
16. Al licuar líquidos calientes, quite el tapón (pieza central de la tapa) a fin de permitir que el vapor se escape.

## INSTRUCCIONES DE DESEMPACADO

1. Ponga la caja sobre una superficie espaciosa, llana y segura.
2. Remueva el manual de instrucciones y otros folletos de la caja. Luego saque el inserto de cartón que se encuentra encima del aparato.
3. Remueva cuidadosamente la base de la licuadora de la caja. Saque el inserto de cartón conteniendo las partes de la jarra. Tenga cuidado de no hacer caer la jarra.
- 4.

## GUARDE ESTAS INSTRUCCIONES PARA USO DOMÉSTICO SOLAMENTE

### AVISO ELÉCTRICO

Para su protección, el cordón de su licuadora Cuisinart® está dotado una clavija tripo- lar de conexión con tierra, la cual debe ser enchufada en un tomacorriente conectado con tierra. Si la clavija no entra en el tomacorriente, llame a un electricista calificado. No intente modificar la clavija.

### CUCHILLAS.

### LA UNIDAD ESTÁ ENCENDIDA Y LISTA. NO TOQUE LAS

21. **ADVERTENCIA: LUCES INTERMITENTES INDICAN QUE DEBE SER REALIZADA POR UN TÉCNICO AUTORIZADO. REPARADAS POR EL USUARIO. CUALQUIERA REPARACIÓN DE ESTE APARATO NO CONTIENE PARTES QUE PUE DAN SER O ELECTROCUCIÓN, NO DESARME EL BLOQUE-MOTOR.**
20. **ADVERTENCIA: PARA PREVENIR EL RIESGO DE INCENDIO O ELECTROCUCIÓN, NO DESARME EL BLOQUE-MOTOR.** de usar la licuadora por primera vez.
19. Limpie la jarra, las cuchillas, el anillo de retención y la tapa antes de usar la licuadora por primera vez. espacio para guardar el mismo atrás de la base. alguien lo tropiece o lo jale, no permita que cuelgue por el borde de la mesa o de la encimera. Guarde el exceso de cable en el sea más conveniente. Para evitar que el cable se enrolle o que de un cable largo, para que usted pueda ubicar el aparato donde **Nota relativa al cable de su licuadora:** Su licuadora está dotada vocar un incendio, una electrocución o heridas.
18. No use este aparato con una extensión eléctrica. Esto podría pro- descubrirlo.
17. Enrosque firmemente el anillo de retención. Pueden ocurrir lesio- nes sin las cuchillas en movimiento quedan accidentalmente al

# Cuisinart®

INSTRUCCIONES Y  
LIBRO DE RECETA



**LICUADORA DE 600 VATIOS SMARTPOWER PREMIER™**

**SERIE CBT-500**

Para su seguridad y para seguir disfrutando de este producto durante años, siempre lea las instrucciones cuidadosamente antes de usarlo.

Version no: CBT500L IB-7530

SIZE: 216 mm(L) X 178 mm(W)  
Total Pages: 40PP

Material:  
Cover: 157GSM MATT ARTPAPER  
Inside: 120GSM GLOSS ARTPAPER

Coating: UV IN COVER PAGE

Color:  
Cover: 4C+1C(BLACK)  
Inside: 1C+1C(1PC OF INSIDE PAGE: 4C+1C)

Die cut: new

Bar Code:

Date: 02/29/08 (00)

Coordinator: Astor You

 CHUNG TAI PRINTING HOLDINGS LTD.  
中大印刷集團有限公司

Tel: 2669 6173

Fax: 2677 6556

